



TRANSICOLD

Service Parts List

MODEL 05K

COMPRESSOR

CONTENTS

| | |
|---|----|
| Introduction | 1 |
| Ordering Instructions | 1 |
| General Notes | 1 |
| 1. Tools | 1 |
| 2. Gasket Set | 1 |
| 3. Compressors | 2 |
| 4. Side Cylinder Head | 3 |
| 5. Center Cylinder Bank and Service Valves (2 Cylinder) | 3 |
| 6. Service Valves (4 Cylinder) | 4 |
| 7. Shaft Seal | 4 |
| 8. Valve Plate Assembly | 5 |
| 9. Bearing Head and Oil Pump | 6 |
| 10. Unloaders | 8 |
| 11. Crankshaft, Rod and Piston | 10 |
| 12. Crankcase | 11 |
| 13. Clutch Assembly (Bus & Rail) | 12 |
| 14. Pressure Switches (Bus & Rail) | 12 |



05K

INTRODUCTION

This parts list identifies service replacement parts for Models 05K Compressors listed in the Model Chart below.

Model Chart

| MODELS | PART NO. | REMARKS |
|--|----------------|--|
| 05K-12 | 18-60000-RM | 12 cfm – 2 Cylinders – low profile gear pump |
| 05K-24 | 18-00056-100RM | 24 cfm – 4 Cylinders* – low profile gear pump – Bus & Rail |
| 05K-24 | 18-00057-20RM | 24 cfm – 4 Cylinders* – low profile gear pump – Optima |
| 05K-24 | 17-44730-00 | 24 cfm – 4 Cylinders – vane pump (NO Unloader) |
| *With Plugged Head For Hot Gas Bypass Unloader | | |

ORDERING INSTRUCTIONS

All orders and inquiries for parts must include: Unit Serial Number, Part no., description of part as shown on list and quantity required. Address all correspondence for parts to the following address:

CARRIER TRANSICOLD DIVISION
Replacement Components Group, TR-20
P.O. Box 4805, Syracuse, NY 13221.
or
Fax to: (315) 432-3778

GENERAL NOTES

To find replacement parts consult table of contents, and turn to the appropriate page for illustrated breakdown of replacement parts. The following letter designations are used to classify parts throughout this list.

A/R *As Required*

CRES *Corrosion Resistant Steel – 300 Series unless otherwise specified.*

NS *Not Shown in the illustration.*

NSA *Non-Stock Assembly – order components listed under the assembly.*

NSI *Non-Stock Item – may be available on special order.*

NSS *Not Sold Separately – order next higher assembly or kit.*

P-- Suffix P-- added to part number means part is available in packaged quantity only. Example: P/N 34-00373-01P10 is a package of 10 P/N 34-00373-01. Use part number and P-- suffix when ordering

PL *Purchase Locally.*

SV Suffix SV added to part number designates service replacement part.

SCOU Suction Cutoff Unloader

05K

| ITEM | PART NO. | DESCRIPTION | QTY |
|-----------------|----------------|---|-----|
| 1. TOOLS | | | |
| NS | 07-00219 | Wrench, Compressor Sight Glass | |
| NS | 07-00223 | Pliers, Compressor Unloader Ring | |
| NS | 07-00240-01 | Wrench, Spanner (for Housing Mounted Clutch) | |
| NS | 07-00241 | Rotor Installation Tool (for Housing Mounted Clutch) | |
| NS | 07-00242-01 | Bearing Retaining Nut Socket (3.5") (for Housing Mounted Clutch) | |
| NS | 07-00242-02 | Bearing Retaining Nut Socket (3") (for Housing Mounted Clutch) | |
| NS | 07-00246-00 | Grease, Clutch | |
| NS | 07-00260-00 | Acid Test Kit | |
| NS | 07-00265-00P06 | Totaltest Kit (Package of 6) | |
| NS | 07-00265-01 | Totaltest Kit (Package of 1) | |
| NS | 07-00266-00 | Replacement Tubes for Totaltest Kit | |
| NS | 58-04165-00 | Filter, Felt (Suction Sock for System Clean Up) | |
| NS | 07-00275-00 | Oil, Compressor – for "R-12, R-22 & R-502" refrigerant (1 gallon) | |
| NS | 07-00317-00 | Oil, Compressor – for "R-134a" refrigerant (1 gallon) | |

2. GASKET SET

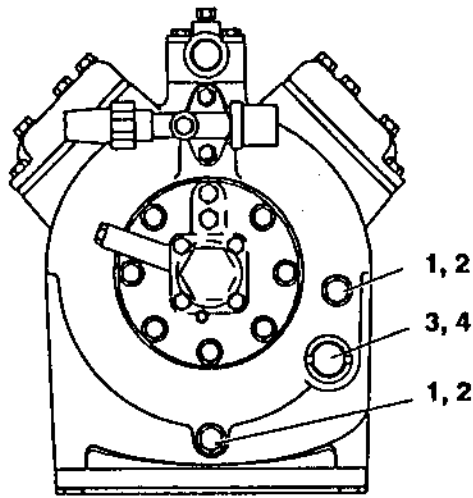
NOTE: REFER TO APPROPRIATE SECTION FOR ILLUSTRATION

| SECTION | ITEM | PART NO. | DESCRIPTION | QTY |
|---------|------|-------------|--|-----|
| NS | NS | 17-44707-00 | Gasket Set – Includes: | 1 |
| 3. | 4 | 17-10218-02 | Gasket, Sight Glass | 1 |
| 5. | 11 | 17-10811-05 | Gasket, Suction Service Valve | 1 |
| 5. | 7 | 17-21003 | Gasket, Discharge Service Valve | 1 |
| 9. | 15 | 17-40075-05 | Gasket, Oil Pump Cover (Vane Pump) | 1 |
| 9. | 7 | 17-40078-05 | Gasket, Oil Pump Bearing Head | 1 |
| 10. | 6 | 17-40104-07 | Gasket, Unloader Valve | 1 |
| 8. | 11 | 17-44123-00 | Gasket, Center Cylinder Head | 2 |
| 8. | 12 | 17-44124-00 | Gasket, Side Cylinder Head (No Unloader) | 1 |
| 8. | 12A | 17-44125-00 | Gasket, Side Cylinder Head (Suction Cutoff Unloader) | 1 |
| 8. | 12B | 17-44126-00 | Gasket, Side Cylinder Head (Hot Gas Bypass Unloader) | 1 |
| 7. | 4 | 17-44713-00 | Gasket, Seal Plate (Shaft) | 1 |
| 8. | 6 | 17-55002 | Gasket, Valve Plate | 2 |
| 12. | 6 | 17-44712-00 | O-Ring | 1 |
| 12. | 1 | 17-44708-00 | Gasket, Front Cover 2 Cylinder | 1 |
| 12. | 1 | 17-44711-00 | Gasket, Front Cover 4 Cylinder | 1 |

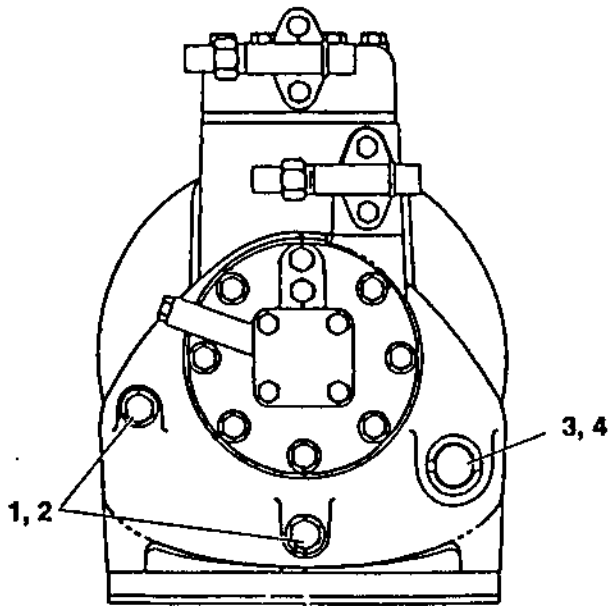
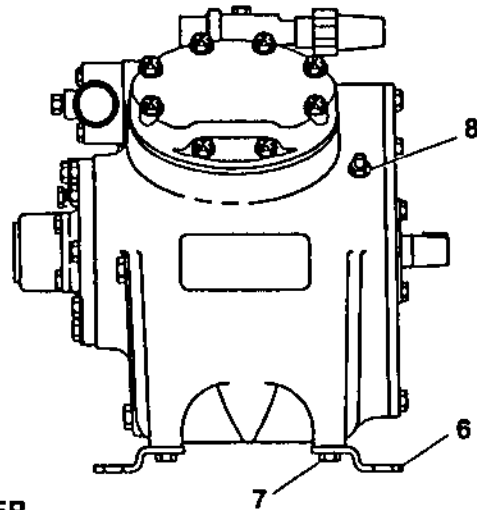
05K

| ITEM | PART NO. | DESCRIPTION | QTY |
|------|----------|-------------|-----|
|------|----------|-------------|-----|

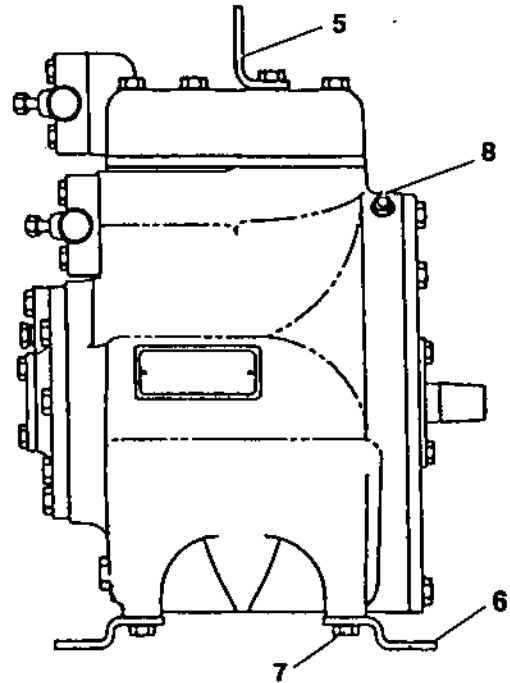
3. COMPRESSORS



4 CYLINDER



2 CYLINDER

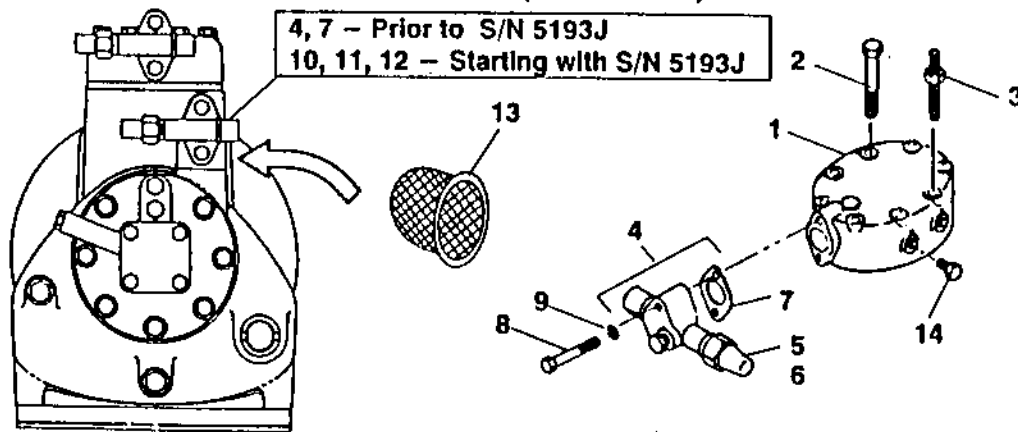


| | | | |
|----|-------------|--|---|
| 1 | 17-44037-00 | Plug, O-Ring (7/16-20) - Includes: | 3 |
| 1 | 17-44706-00 | Plug, O-Ring (9/16-18) - Includes: | 3 |
| 2 | NSS | O-Ring | 1 |
| 3 | 17-10218 | Sight Glass | 1 |
| 4 | 17-10218-02 | Gasket, Sight Glass | 1 |
| 5 | 17-44701-00 | Lug, Lifting - 2 Cylinder (NSI) | 1 |
| NS | 17-44726-00 | Lug, Lifting - 4 Cylinder (NSI) | 1 |
| 6 | 17-40036-00 | Foot | 2 |
| 7 | PL | Capscrew, Hex Head 1/2-13 x 1" lg | 4 |
| 8 | O6DA403-844 | Valve, Schrader (1/4 npt x 1/4 Flare) | 1 |
| 8 | OTA0669B | Valve, Schrader (7/16 -20 x 1/4 Flare) | 1 |

05K

| ITEM | PART NO. | DESCRIPTION | QTY |
|------------------------------|-------------|---|-----|
| 4. SIDE CYLINDER HEAD | | | |
| | | | |
| 1 | 17-40108 | Strainer | 1 |
| 2 | 17-21041-00 | Cylinder Head – Side Banks (Suction Cutoff Unloader) | 1 |
| 2 | 17-40104-05 | Cylinder Head – Side Banks (Hot Gas Bypass Unloader) | 1 |
| 3 | 17-40018-05 | Capscrew, Hex Head 3/8-16 x 3" lg – SAE Grade 8 | A/R |
| 4 | 17-44017-01 | Stud, 3/8-16 x 3-3/4" lg | A/R |
| 5 | 17-44731-00 | Cylinder Head – Side Bank (No Unloader) | 1 |
| 6 | 17-44117-00 | Capscrew, Hex Head, 3/8-16 x 2-1/4" lg – SAE Grade 8 | A/R |
| 7 | 17-57010-00 | Stud, 3/8-16 x 2-1/2" lg | A/R |
| 8 | 17-21040-00 | Head, Cylinder (Shaved – Side Banks Without Unloader) | A/R |
| 9 | 17-44732-00 | Stud, 3/8-16 x 2 lg | A/R |
| 10 | 17-40034-05 | Capscrew, Hex Head 3/8-16 x 2.00" lg – SAE Grade 8 | A/R |
| 11 | 17-40037-05 | Capscrew, Hex Head 3/8-16 x 1.00" lg – SAE Grade 8 | A/R |

5. CENTER CYLINDER BANK AND SERVICE VALVES (2 CYLINDER)

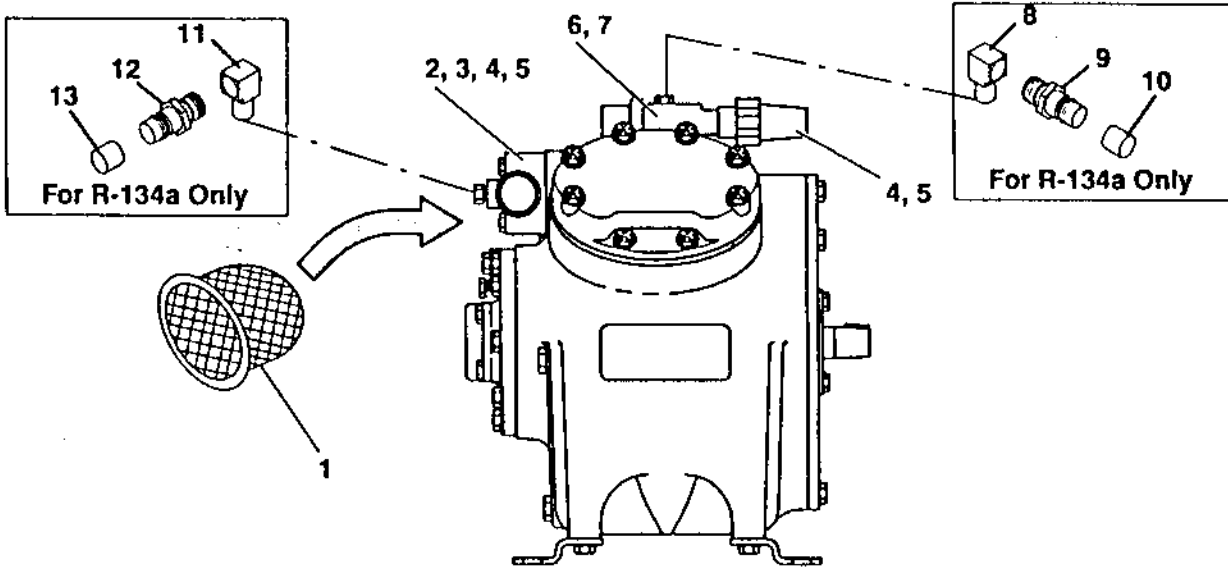


| | | | |
|----|-------------|---|---|
| 1 | 17-44700-00 | Cylinder Head – Center Bank | 1 |
| 2 | 17-40018-05 | Capscrew, Hex Head 3/8-16 x 3.00" lg – SAE Grade 8 | 6 |
| 3 | 17-44733-00 | Stud, 3/8-16 x 3 lg | 2 |
| 4 | 14-01042-01 | Valve, Discharge Service 7/8 OD – Includes: | 1 |
| 5 | 17-10812 | Cap, Service Valve (Plastic) – Includes: | 1 |
| 6 | 17-10806-02 | Gasket, Seal Cap | 1 |
| 7 | 17-21003 | Gasket, Service Valve | 1 |
| 5 | 17-10806-10 | Cap, Service Valve (Brass) | 1 |
| 8 | 17-13002-00 | Capscrew, Hex Head 5/16-18 x 1.25" lg – SAE Grade 8 | 2 |
| 9 | 17-40013 | Gasket, Capscrew (5/16) | 2 |
| 10 | 14-01042-04 | Valve, Suction Service 7/8 OD – Includes: | 1 |
| 11 | 17-10811-05 | Gasket, Service Valve | 1 |
| 5 | 17-10812 | Cap, Service Valve (Plastic) – Includes: | 1 |
| 6 | 17-10806-02 | Gasket, Seal Cap | 1 |
| 12 | 17-57019-05 | Capscrew, Hex Head 5/16-18 x 1.75" lg – SAE Grade 8 | 2 |
| 9 | 17-40013 | Gasket, Capscrew (5/16) | 2 |
| 13 | 17-44716 | Strainer, Suction (Starting with S/N 5193J_____) | 1 |
| 14 | PL | Pipe Plug 1/4-18 npt | 2 |

05K

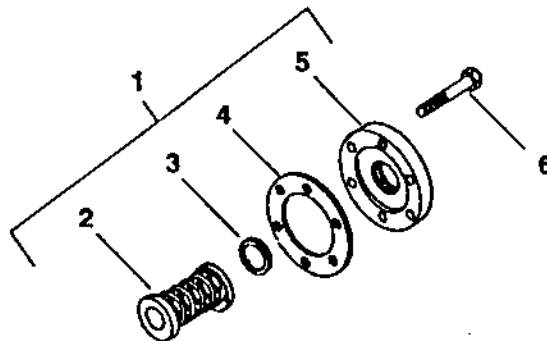
| ITEM | PART NO. | DESCRIPTION | QTY |
|------|----------|-------------|-----|
|------|----------|-------------|-----|

6. SERVICE VALVES (4 CYLINDER)



| | | | |
|----|-------------|---|---|
| 1 | 17-44716 | Strainer, Suction | 1 |
| 2 | 14-01042-04 | Valve, Suction Service 7/8" ODS – Includes: | 1 |
| 2 | 14-01042-03 | Valve, Suction Service 1-1/8" ODS – Includes: | 1 |
| 3 | 17-10811-05 | Gasket, Service Valve | 1 |
| 4 | 17-10812 | Cap, Service Valve (Plastic) – Includes: | 1 |
| 5 | 17-10806-02 | Gasket, Seal Cap | 1 |
| 6 | 17-13000-01 | Valve, Discharge Service 3/4" ODS – Includes: | 1 |
| 6 | 14-01042-01 | Valve, Discharge Service 7/8" ODS – Includes: | 1 |
| 7 | 17-21003 | Gasket, Service Valve | 1 |
| 4 | 17-10812 | Cap, Service Valve (Plastic) – Includes: | 1 |
| 5 | 17-10806-02 | Gasket, Seal Cap | 1 |
| 8 | 40-00524-01 | Elbow, 1/8 NPTF x M15 – Brass | 1 |
| 9 | 40-00520-01 | Coupling, M15 – Brass – Includes: | 1 |
| 10 | 40-00520-03 | Cap, Service Port | 1 |
| 11 | 40-00524-00 | Elbow, 1/4 NPTF x M13 – Brass | 1 |
| 12 | 40-00520-00 | Coupling, M13 – Brass – Includes: | 1 |
| 13 | 40-00520-02 | Cap, Service Port | 1 |

7. SHAFT SEAL

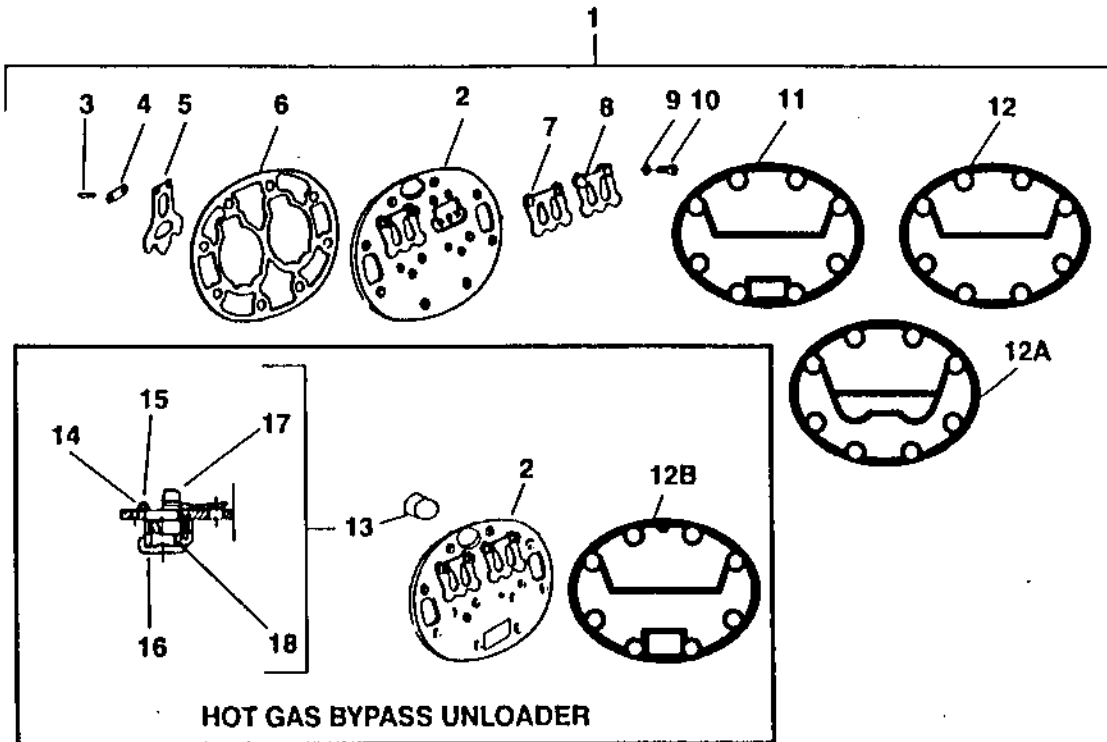


| | | | |
|---|-------------|--|---|
| 1 | 17-44705-00 | Seal Assembly, Shaft – Includes: | 1 |
| 2 | NSS | Seal, Shaft | 1 |
| 3 | 17-56027 | Ring, Carbon | 1 |
| 4 | 17-44713-00 | Gasket, Seal Plate (Shaft) | 1 |
| 5 | NSS | Plate, Seal (Shaft) | 1 |
| 6 | 17-40077-05 | Screw, Hex Head 5/16-18 x 0.75" lg – SAE Grade 8 | 6 |

05K

| ITEM | PART NO. | DESCRIPTION | QTY |
|------|----------|-------------|-----|
|------|----------|-------------|-----|

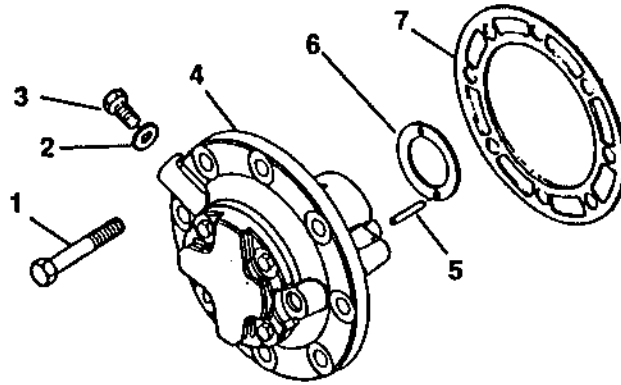
8. VALVE PLATE ASSEMBLY



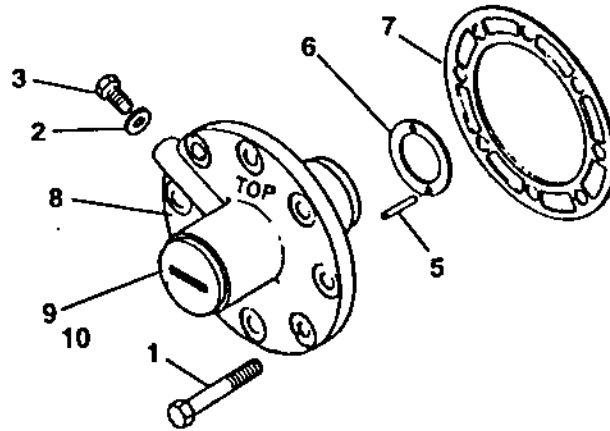
| | | | |
|-----|-------------|--|---|
| 1 | 17-44046-00 | Valve Plate (Canted, Side Bank with hot gas bypass unloader) – Includes: | 1 |
| 1 | 17-44047-00 | Valve Plate (Canted, Center & Side with suction cutoff unloader) – Includes: | 1 |
| 1 | 17-44047-00 | Valve Plate (Canted, Center & Side No unloader) – Includes: | 1 |
| 1 | 17-44048-00 | Valve Plate (Flat, Center & Side with suction cutoff unloader) – Includes: | 1 |
| 1 | 17-44049-00 | Valve Plate (Flat, Side Bank with No Unloader) – Includes: | 1 |
| 1 | 17-44050-00 | Valve Plate (Flat, Side Bank with hot gas bypass unloader) – Includes: | 1 |
| 2 | NSS | Valve Plate | 1 |
| 3 | 17-40057 | Dowel, Pin Suction Valve | 4 |
| 4 | 17-40083 | Spring, Suction Valve Position | 2 |
| 5 | 17-44111-00 | Valve, Suction (0.018) – 05G and 05K | 2 |
| 5 | 17-40082 | Valve, Suction (0.015) – 05D | 2 |
| 6 | 17-44007-06 | Gasket, Valve Plate (05G) | 1 |
| 6 | 17-55002 | Gasket, Valve Plate (05K) | 1 |
| 7 | 17-40086 | Valve, Discharge | 2 |
| 8 | 17-40087 | Stop, Discharge Valve | 2 |
| 9 | 17-10715 | Lockwasher, 1/4 | 4 |
| 10 | 17-44113-00 | Capscrew, Hex Head, 1/4-28 x 3/8" lg | 4 |
| 11 | 17-44123-00 | Gasket, Center Cylinder Head | 1 |
| 12 | 17-44124-00 | Gasket, Side Cylinder Head (No Unloader) | 1 |
| 12A | 17-44125-00 | Gasket, Side Cylinder Head (Suction Cutoff Unloader) | 1 |
| 12B | 17-44126-00 | Gasket, Side Cylinder Head (Hot Gas Bypass Unloader) | 1 |
| 13 | 17-55012 | Unloader Check Valve (Hot Gas Bypass Unloader) – Includes: | 1 |
| 14 | NSS | Lockwasher, #6 | 2 |
| 15 | NSS | Screw, Round Phillips Head, #6-32 x 1/2" lg | 2 |
| 16 | NSS | Body Check Valve | 1 |
| 17 | 17-40104-08 | Piston, Check Valve | 1 |
| 18 | 17-40104-09 | Spring, Check Valve | 1 |

05K

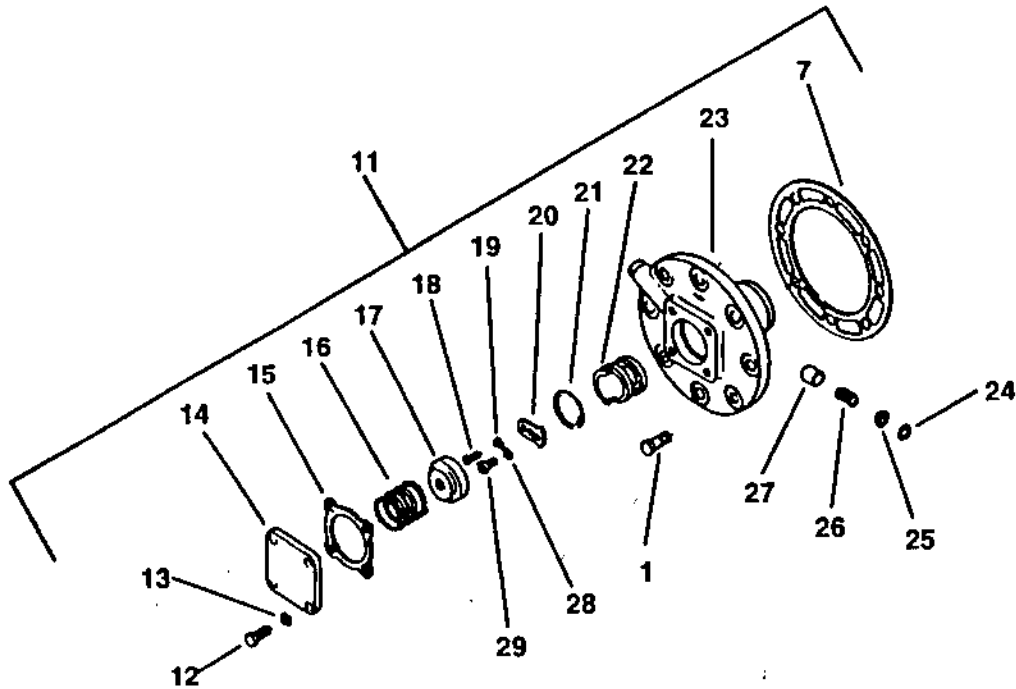
9. BEARING HEAD AND OIL PUMP



LOW PROFILE GEAR PUMP



GEAR PUMP



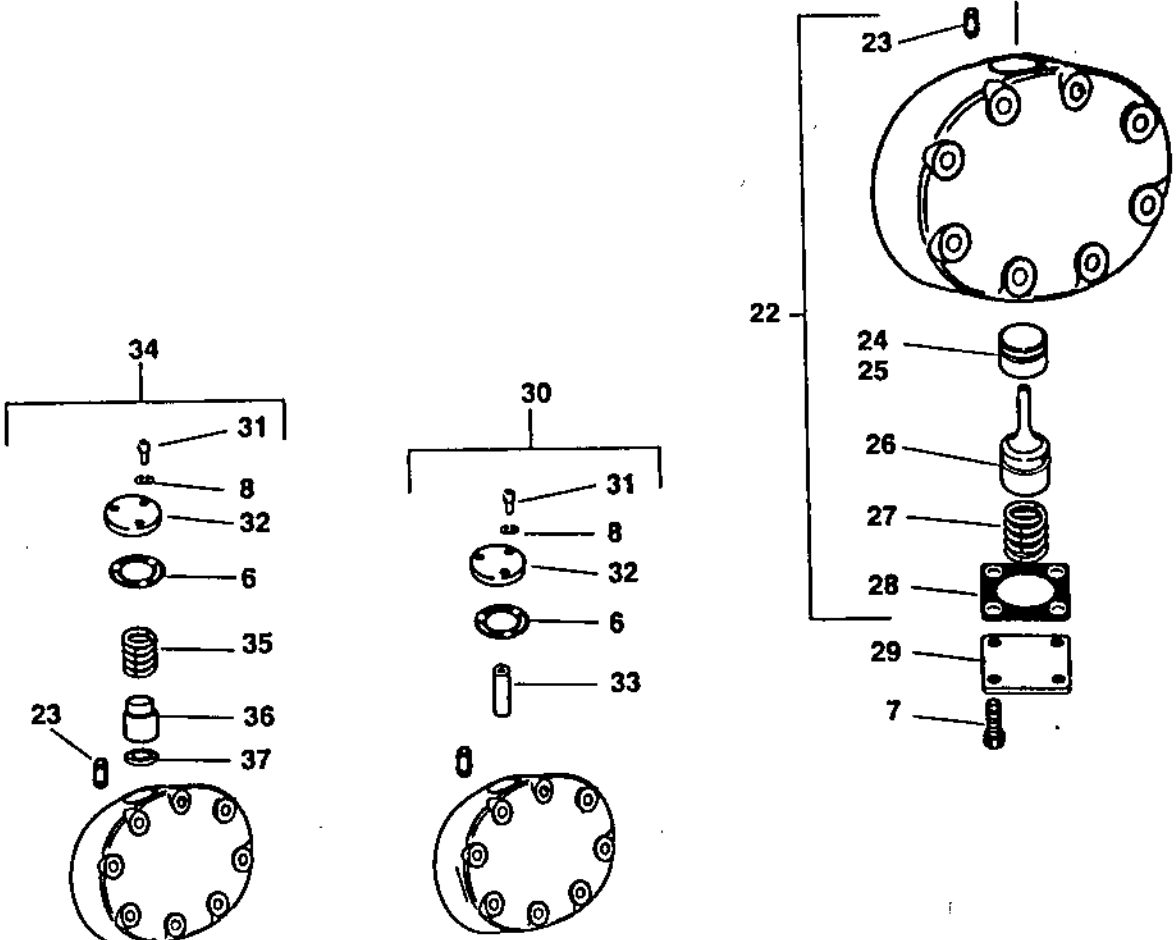
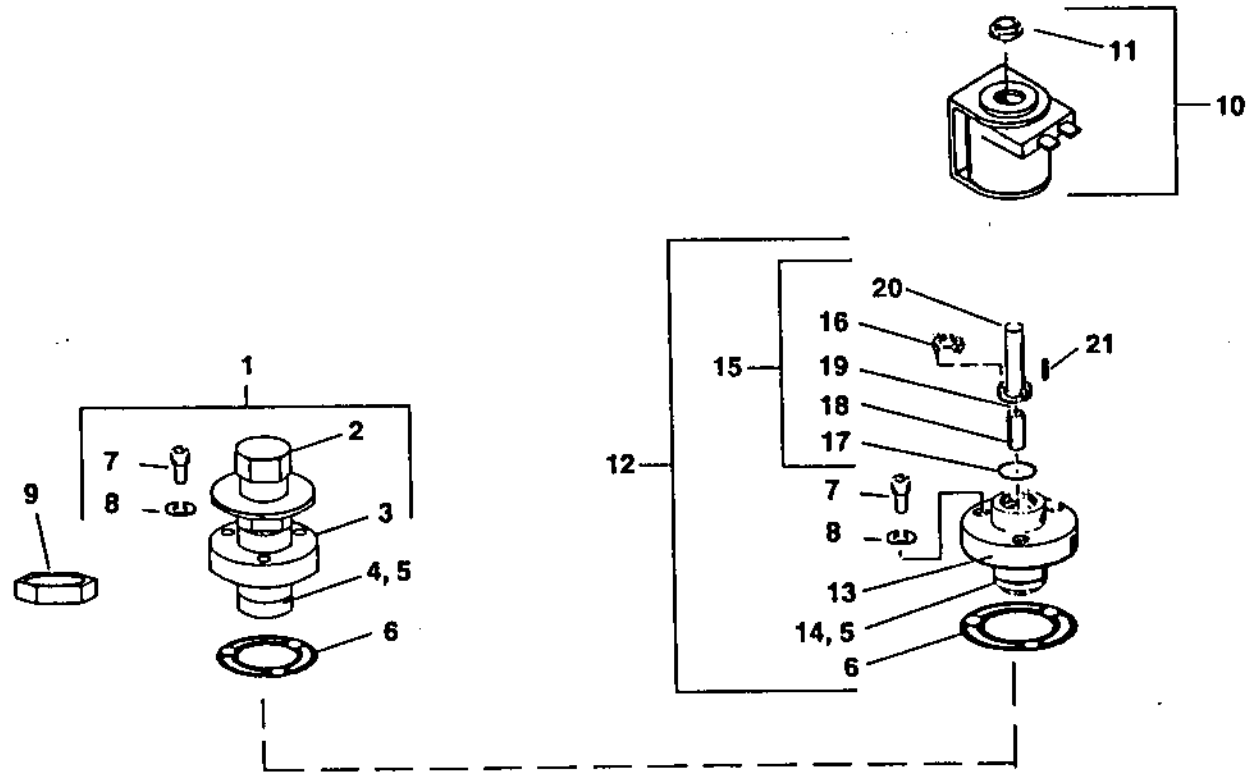
VANE PUMP

05K

| ITEM | PART NO. | DESCRIPTION | QTY |
|-------------------------------------|-------------|--|-----|
| 9. BEARING HEAD AND OIL PUMP | | | |
| 1 | 17-10308 | Capscrew, Hex Head, 3/8-16 x 1-1/4" lg – SAE Grade 5 | 8 |
| 2 | 17-40019 | Washer, Seal | 1 |
| 3 | PL | Capscrew, 3/8-16 X3/4" lg | 1 |
| 3 | 17-44037-00 | Plug, with O-Ring 7/16-20 | 1 |
| 4 | 17-44714-00 | Oil Pump and Bearing Head Assembly (Low Profile Gear Pump) | 1 |
| 5 | 17-40204 | Pin Roll, 1/8 dia X 1/2" lg | 2 |
| 6 | 17-55009-01 | Thrustwasher, Pump End | 1 |
| 7 | 17-40078-05 | Gasket, Bearing Head | 1 |
| 8 | 17-44033-10 | Oil Pump and Bearing Head Assembly (Gear Pump) – Includes: | 1 |
| 9 | 17-44033-01 | Cover Assembly, Screw – Includes: | 1 |
| 10 | 17-44033-02 | Gasket, O-Ring | 1 |
| 11 | 17-44734-00 | Oil Pump and Bearing Head Assembly (Vane Pump) – Includes: | 1 |
| 7 | 17-40078-05 | Gasket, Bearing Head | 1 |
| 12 | 17-40077-05 | Capscrew, Hex Head, 5/16-18 x 3/4" lg – SAE Grade 8 | 4 |
| 13 | 17-40013 | Gasket, Capscrew, 5/16 | 4 |
| 14 | 17-40076 | Cover, Oil Pump | 1 |
| 15 | 17-40075-05 | Gasket, Oil Pump Cover | 1 |
| 16 | 17-40069 | Spring, Oil Feed Vane | 1 |
| 17 | 17-40070 | Guide, Oil Feed Vane | 1 |
| 18 | 17-40072 | Capscrew, Socket Head, #10-32 x 1/2" lg – SAE Grade B7 | 1 |
| 19 | 17-40073 | Lockwasher, #10 | 1 |
| 20 | 17-44710-00 | Drive Segment, Oil Pump | 1 |
| 21 | 17-40068 | Retaining Ring, Rotor | 1 |
| 22 | 17-40067 | Pump, Rotor (NSI) | 1 |
| 23 | NSS | Head (Includes Bearing) | 1 |
| 24 | 17-40066 | Ring, Plunger Retaining | 2 |
| 25 | 17-40065 | Guide Plunger Vane Spring | 2 |
| 26 | 17-40064 | Spring Plunger | 2 |
| 27 | 17-40063 | Vane, Pump (NSI) | 2 |
| 28 | 17-10715 | Lockwasher, 1/4 | 1 |
| 29 | 17-40074-01 | Capscrew, Socket Head, 1/4-28 x 5/8" lg – SAE Grade B7 | 1 |

05K

10. UNLOADERS



PLUG - HOT GAS BYPASS

PLUG - SUCTION CUTOFF

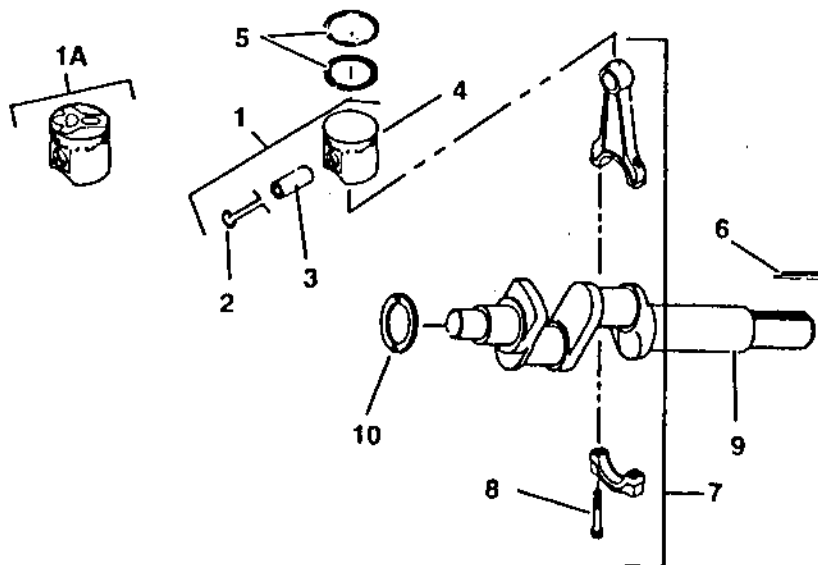
05K

| ITEM | PART NO. | DESCRIPTION | QTY |
|----------------------|-------------|--|-----|
| 10. UNLOADERS | | | |
| 1 | 17-55018-00 | Valve Assembly (Pressure) – Includes: | A/R |
| 2 | NSS | Power Assembly, Unloader (Suction Press Activated) | 1 |
| 3 | NSS | Body Assembly, Valve | 1 |
| 4 | 17-40409-00 | Piston (For Hot Gas Bypass Unloaders) – Includes: | 1 |
| 5 | 17-55010 | Ring, Piston | 1 |
| 6 | 17-40104-07 | Gasket, Unloader Valve | 1 |
| 7 | 17-40111 | Screw, Socket Head 1/4-28 x 0.75" lg | 1 |
| 8 | 17-40104-20 | Gasket, Socket Head Screw (1/4) | 1 |
| 9 | 34-01139 | Nut, Unloader Adjuster Lock | |
| 10 | 22-02567-00 | Coil, Valve (12 v-dc with Spade Terminal) – Includes: | A/R |
| 10 | 14-00143-07 | Coil, Valve (12 v-dc) – Includes: | A/R |
| 10 | 22-50030 | Coil, Valve (24 v-dc) – Includes: | A/R |
| 10 | 22-02567-01 | Coil, Valve (24 v-ac) – Includes: | A/R |
| 10 | 16-00149 | Coil, Valve (115 v-ac) – Includes: | A/R |
| 10 | 17-10829-00 | Coil, Valve (230 v-ac) – Includes: | A/R |
| 11 | 17-40408-02 | Cap, Snap | 1 |
| 12 | 17-40407-20 | Valve Assembly (Electric) – Includes: | A/R |
| 13 | NSS | Body Assembly, Valve | 1 |
| 14 | 17-40409-00 | Piston (For Hot Gas Bypass Unloaders) – Includes: | 1 |
| 5 | 17-55010 | Ring, Piston | 1 |
| 15 | 16-00143-01 | Kit, Valve Body – Includes: | 1 |
| 16 | NSS | Installation/Remover Tool | 1 |
| 17 | 17-55022 | Gasket, O-Ring | 1 |
| 18 | NSS | Plunger Assembly | 1 |
| 19 | NSS | Spring, Plunger | 1 |
| 20 | NSS | Tube, Enclosing | 1 |
| 21 | 34-06026-00 | Pin, Unloader Coil Retainer | |
| 11 | 17-40408-02 | Cap, Snap | 1 |
| 6 | 17-40104-07 | Gasket, Unloader Valve | 1 |
| 7 | 17-40111 | Screw, Socket Head 1/4-28 x 0.75" lg | 3 |
| 8 | 17-40104-20 | Gasket, Socket Head Screw (1/4) | 3 |
| 22 | 17-21055-00 | Kit, Repair (For Suction Cutoff Unloaders) – Includes: | 2 |
| 23 | 17-40108 | Strainer | 1 |
| 24 | 17-21047-00 | Ring, Piston | 1 |
| 25 | NSS | Piston | 1 |
| 26 | NSS | Body, Valve | 1 |
| 27 | 17-21044-00 | Spring, Compression | 1 |
| 28 | 17-21046-00 | Gasket, Valve Cover | 1 |
| 6 | 17-40104-07 | Gasket, Unloader Valve | 1 |
| 29 | 17-21045-00 | Cover, Valve | 1 |
| 30 | 17-21056-00 | Kit, Plug (Suction Cutoff To Fully Loaded) – Includes: | A/R |
| 31 | 17-10721 | Capscrew, Socket 1/4-28 x 1.00" lg | 3 |
| 32 | NSS | Plate, Cover | 1 |
| 33 | NSS | Sleeve, Plug | 1 |
| 6 | 17-40104-07 | Gasket, Unloader Valve | 1 |
| 8 | 17-40104-20 | Gasket, Screw (1/4) | 3 |
| 34 | 17-55013 | Kit, Plug (Hot Gas Bypass To Fully Loaded) – Includes: | A/R |
| 35 | NSS | Spring | 1 |
| 36 | NSS | Plug | 1 |
| 37 | 17-55014 | Ring, Seat | 1 |
| 6 | 17-40104-07 | Gasket, Unloader Valve | 1 |
| 8 | 17-40104-20 | Gasket, Screw (1/4) | 3 |
| 23 | 17-40108 | Strainer | 1 |
| 31 | 17-10721 | Capscrew, Socket 1/4-28 x 1.00" lg | 3 |
| 32 | NSS | Plate, Cover | 1 |

05K

| ITEM | PART NO. | DESCRIPTION | QTY |
|------|----------|-------------|-----|
|------|----------|-------------|-----|

11. CRANKSHAFT, ROD AND PISTON



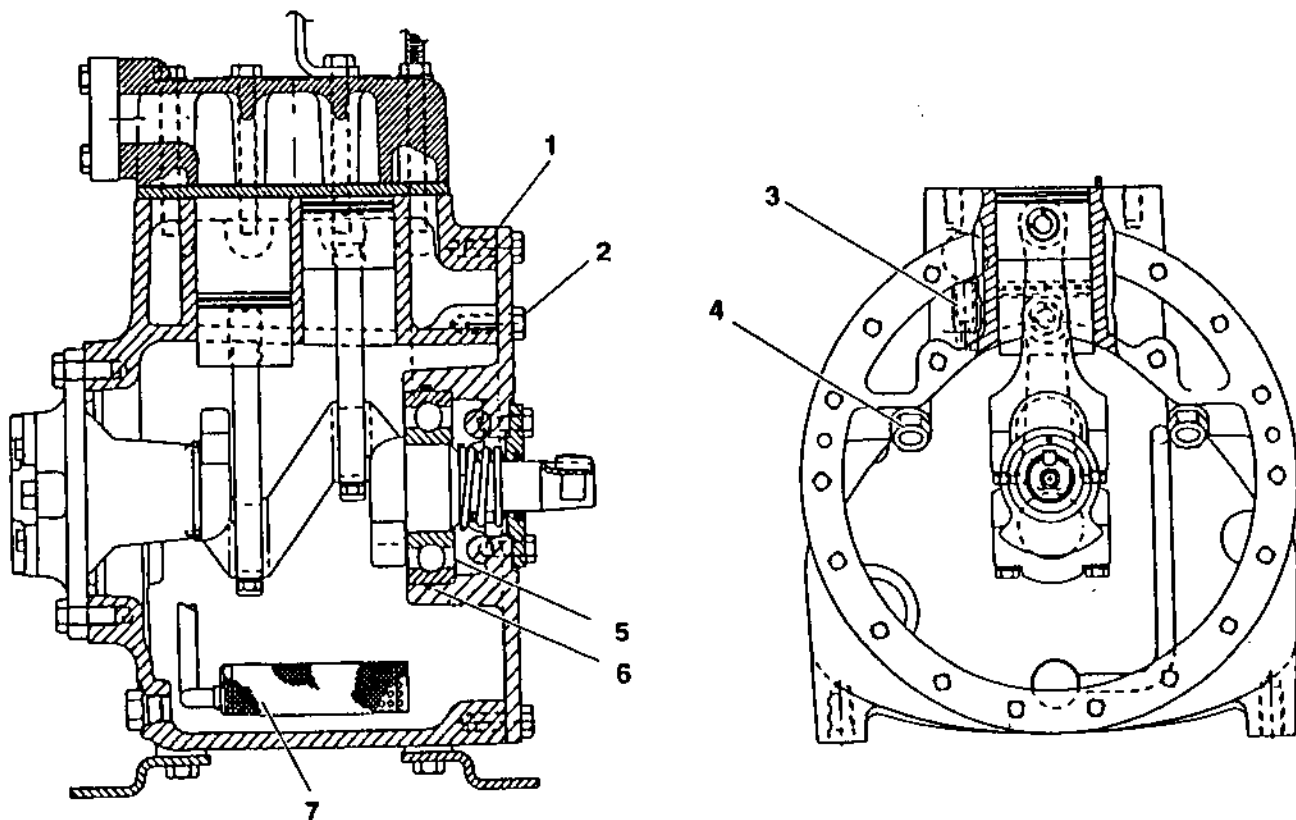
| | | | |
|-----|-------------|--|-----|
| 1 | 17-44715-00 | Piston & Pin (Standard - Flat Top) - Includes: | A/R |
| 1 | 17-44715-02 | Piston & Pin (.020 Over - Flat Top) - Includes: | A/R |
| *1A | 17-44727-00 | Piston & Pin (Standard - Contoured Head) - Includes: | A/R |
| *1A | 17-44727-02 | Piston & Pin (.020 Over - Contoured Head) - Includes: | A/R |
| 2 | 17-44703-00 | Retainer, Piston Pin (NSI) | 1 |
| 3 | 17-44702-00 | Pin, Piston (NSI) | 1 |
| 4 | NSS | Piston | 1 |
| 5 | 17-40055 | Ring, Compression (Standard & .020" Oversize) | A/R |
| 6 | 17-44719-00 | Key, Crankshaft | 1 |
| 7 | 17-44704-00 | Connecting Rod & Cap (2 Cylinder Standard) - Includes: | A/R |
| 7 | 17-40056-02 | Connecting Rod & Cap (4 Cylinder Standard) - Includes: | 4 |
| 7 | 17-40056-21 | Connecting Rod & Cap (4 Cylinder .010) - Includes: | A/R |
| NS | 17-40057 | Pin, Dowel | 2 |
| 8 | 17-55008 | Capscrew (Special) | 2 |
| 9 | 17-44728-00 | Crankshaft (2 Cylinder - Vane Pump) | 1 |
| 9 | 17-44724-00 | Crankshaft (2 Cylinder - Gear & Low Profile Pumps) | 1 |
| 9 | 17-44729-00 | Crankshaft (4 Cylinder - Vane Pump) | 1 |
| 9 | 17-44725-00 | Crankshaft (4 Cylinder - Gear & Low Profile Pumps) | 1 |
| 10 | 17-55009-01 | Thrustwasher, Pump End | 1 |

* For Refrigeration Use Only

05K

| ITEM | PART NO. | DESCRIPTION | QTY |
|------|----------|-------------|-----|
|------|----------|-------------|-----|

12. CRANKCASE



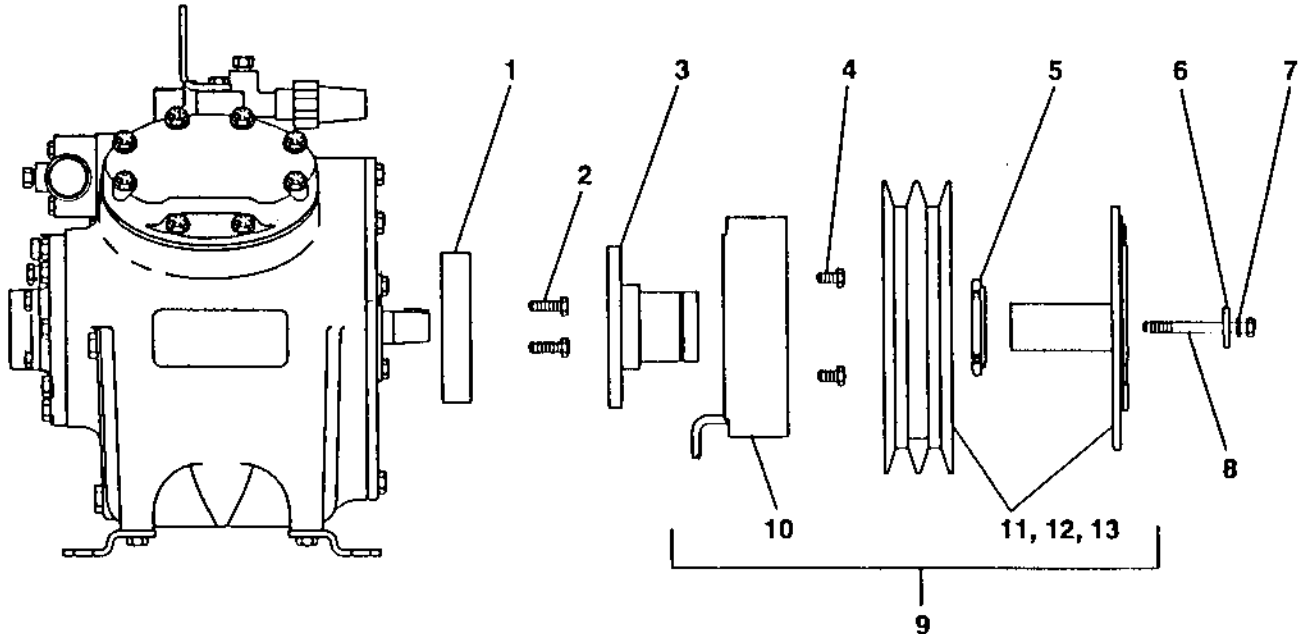
2 CYLINDER SHOWN

| | | | |
|---|-------------|------------------------------------|----|
| 1 | 17-44708-00 | Gasket, Front Cover 2 Cylinder | 1 |
| 1 | 17-44711-00 | Gasket, Front Cover 4 Cylinder | 1 |
| 2 | 17-40034-05 | Capscrew, Hex Head, 3/8-16 x 1" lg | 24 |
| 3 | 17-44723-00 | Valve, Oil Relief | 1 |
| 4 | 17-40042 | Valve, Oil Return | 2 |
| 5 | 17-44722-00 | Bearing, Main Seal End | 1 |
| 6 | 17-44712-00 | O-Ring | 1 |
| 7 | 17-44717-00 | Screen, Oil Filter 2 Cylinder | 1 |
| 7 | 17-44718-00 | Screen, Oil Filter 4 Cylinder | 1 |

05K

| ITEM | PART NO. | DESCRIPTION | QTY |
|------|----------|-------------|-----|
|------|----------|-------------|-----|

13. CLUTCH ASSEMBLY (BUS & RAIL)



| | | | | |
|----|--------------|---|------------|------------|
| 1 | 68PD1-1003 | Adapter | 1 | |
| 2 | 34-00615-08 | Capscrew, Hex Head 5/16-18 X 1" lg | 4 | |
| 3 | 68PD1-1013 | Hub, Clutch Mounting | 1 | |
| 4 | PL | Capscrew, Hex Head 5/16-18 X 5/8" lg | 6 | |
| 5 | 34-06083-00 | Nut, Lock | 1 | |
| 6 | 68G2-9082-1 | Washer, Special | 1 | |
| 7 | PL | Washer, Lock | 1 | |
| 8 | PL | Capscrew, Hex Head | 1 | |
| 9 | 50-01122-13 | Clutch, Assembly 24 vdc, 2B Grooves – Includes: | } WARNER 1 | |
| 9 | 50-01122-15 | Clutch, Assembly 12 vdc, 2B Grooves – Includes: | | |
| 9 | 50-01122-21 | Clutch, Assembly 24 vdc, 2B-2A Grooves – Includes: | | |
| 9 | 50-01122-23 | Clutch, Assembly 24 vdc, 2AB-2B Grooves – Includes: | | |
| 10 | 50-01122-41 | Coil, 12 vdc | | |
| 10 | 50-01122-50 | Coil, 24 vdc | | |
| 11 | 50-01122-92 | Rotor, 2B Grooves – Includes: | | |
| 11 | 50-01122-99 | Rotor, 2B-2A Grooves – Includes: | | |
| 11 | 50-01122-500 | Rotor, 2AB-2B Grooves – Includes: | | |
| 12 | 34-01186-00 | Ring, Snap | | |
| 13 | 04-00130-00 | Bearing | | |
| 9 | 50-01130-27 | Clutch, Assembly 24 vdc, 2B-2A Grooves – Includes: | | } LINNIG 1 |
| 10 | 50-50040-00 | Coil, 24 vdc | | |
| 12 | 50-50040-05 | Ring, Snap | | |
| 13 | 50-50040-04 | Bearing | | |

14. PRESSURE SWITCHES (BUS & RAIL)

| | | | |
|----|-------------|---|---|
| NS | 12-00299-00 | Switch, High Pressure – R-22 | 1 |
| NS | 12-00299-07 | Switch, High Pressure – R-134a | 1 |
| NS | 12-00299-01 | Switch, Low Pressure – R-22 & R-134a | 1 |
| NS | 12-00334-01 | Switch, Pressure (Unloader Sw. #1) – R-22 | 1 |
| NS | 12-00334-03 | Switch, Pressure (Unloader Sw. #1) – R-134a | 1 |