



TRANE™

General Service Bulletin

HCOM-SB-73

Library	Service Literature
Product Section	Refrigeration
Product	Compressor-Condensing Units
Model	Model E Hermetic
Literature Type	General Service Bulletin
Sequence	73
Date	9/30/87
File No.	SV-RF-COM-HCOM-SB-73-987
Supersedes	

Subject: Model E Compressor Crankcase Heater
(Trane Part No. HTR-0211)

Introduction:

It was recently discovered that the wiring was changed in a vendor shipment of replacement crankcase heaters with June '87 package dates (Trane part no. HTR-0211 only). As a result of this wiring change, the crankcase heater will not function properly if it is wired in the normal manner, and not as shown on the wiring diagram that shipped with the heater.

Discussion:

If an HTR-0211 crankcase heater with "altered" wiring is not wired according to the vendor diagram supplied with the part, it will either be inoperative (115V applications) or burn up (230V applications). Compare the electrical diagrams in Figures 1 and 2 to distinguish the differences between the voltage hookups for a normal HTR-0211 and one with "altered" wiring. Figure 1 shows the field wiring connections normally used with HTR-0211, while Figure 2 illustrates the "new" field connections required as a result of the wiring change.

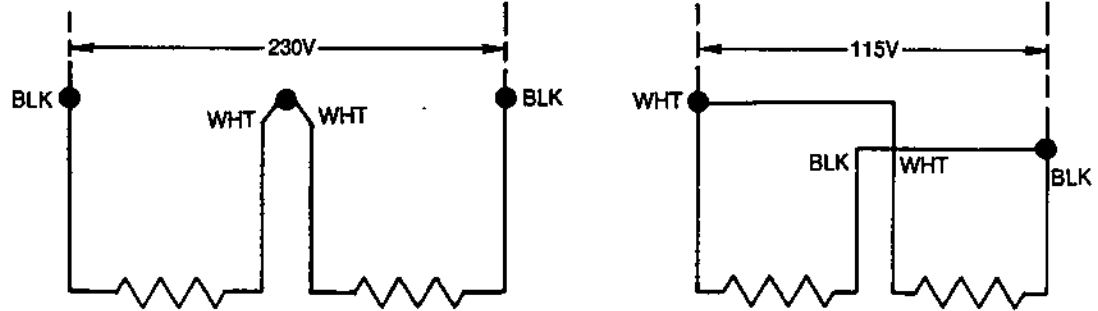
Corrective Action:

1. Return all replacement HTR-0211 crankcase heaters with a package date of "6/87" (June 1987) to La Crosse.
2. Reorder HTR-0211 to ship from La Crosse, Location 31. (The reordered heaters will be wired as normal; see Figure 1.)

Units Affected:

Crankcase heater HTR-0211 is used on Model E open and semihermetic reciprocating compressors. Only heaters with a package date of "6/87" are affected.

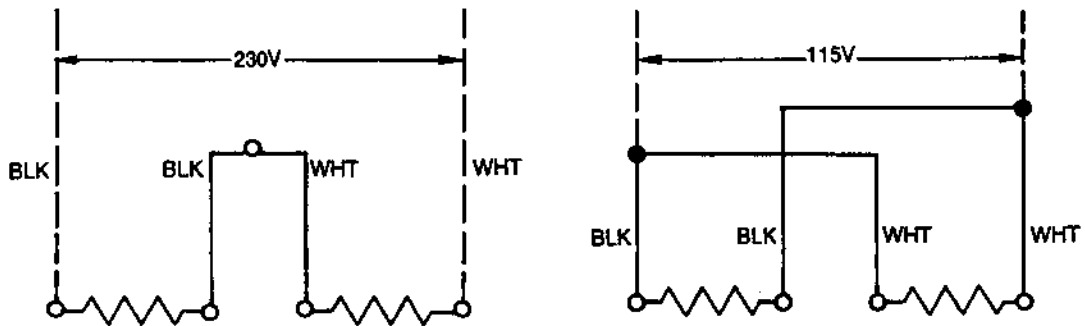
Figure 1
Normal Voltage Hookup
for Crankcase Heater HTR-0211



WARNING!
 Disconnect electrical
 power supply to prevent
 injury or death due to
 electrical shock.

Caution
 Unless otherwise specified,
 use only copper conductors
 to prevent equipment damage.

Figure 2
Voltage Hookup for
HTR-0211 Crankcase Heaters
with a 6/87 Package Date



WARNING!
 Disconnect electrical
 power supply to prevent
 injury or death due to
 electrical shock.

Caution
 Unless otherwise specified,
 use only copper conductors
 to prevent equipment damage.

©American Standard Inc. 1987

The Trane Company
 La Crosse, Wisconsin 54601-7599
 Printed in U.S.A.

For further information on this product or other Trane products, refer to the "Trane Service Literature Catalog", ordering number IDX-IOM-1. This catalog contains listings and prices for all service literature sold by Trane. The catalog may be ordered by sending a \$20.00 check to: The Trane Company, Service Literature Sales, 3600 Pammel Creek Road, La Crosse, WI 54601.