



**TRANE™**

## Unit Parts

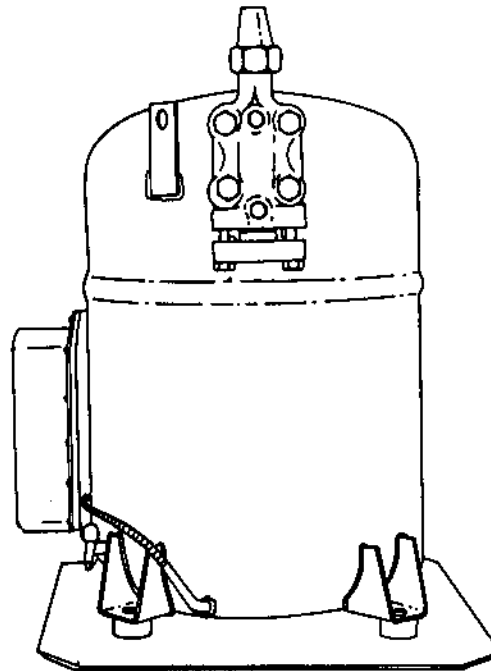
## HCOM-UP-91E

Library	Service Literature
Product Section	Refrigeration
Product	Compressor-Condensing Unit
Model	HCOM "K"
Literature Type	Unit Parts
Sequence	91E
Date	April 1989
File No.	SV-RF-COM-HCOM-UP-91E-489
Supersedes	SV-RF-COM-HCOM-UP-91D-787

## Hermetic Reciprocating Compressor

### Literature Changes

Added Model Number  
Description and  
Corrected Terminal  
Plate Assembly



### Model "K" Compressor

4 and 6 Cylinder  
20, 25 and 30 Ton Units

This parts list is designed for ease of parts selection. Wherever possible, the parts list allows parts selection without the use of the Trane model number. Parts may be selected from the illustrations and/or tables from the parts index located at the back of the parts list.

Contact your local Trane parts distributor for assistance or identification of any parts not identified in this parts list.

Since The Trane Company has a policy of continuous product improvement and parts standardization, it reserves the right to change specifications and design without notice. This parts list identifies known standardized parts and other parts changed by standardization. The installation and servicing of this equipment should be done by qualified, experienced technicians.

# Model Number Description

C R H K 200 C 4 C A  
 1 2 3 4 5,6,7 8 9 10 11

**1st Digit**

**Unit**

C = Compressor

**2nd Digit**

**Type of Compressor**

R = Reciprocating Piston

**3rd Digit**

**Type of Drive**

H = Hermetic

**4th Digit**

**Development Sequence**

K = 1750 RPM Vertical Steel Shell

**5th, 6th & 7th Digit**

**Nominal Size Development & Number of Cylinders**

Development Sequence	Refrigerant	Cu. In. Rev.	Number of Cylinders
200 = K	R-22	50.81	4
250 = K	R-22	64.50	6
300 = K	R-22	75.91	6

**8th Digit**

**Electrical Characteristics**

Nominal	Min. Volts	Max. Volts
A = 200/60/3	180	220
C = 460/60/3	416	508
D = 575/60/3	520	635
G = 400/50/3	343	456
W = 230/60/3	208	254

**9th Digit**

**Number Of Cylinders That Unload**

2 = Two Cylinder  
 4 = Four Cylinder

**10th Digit**

**Design Sequence**

A  
 B  
 C  
 Etc.

**11th Digit**

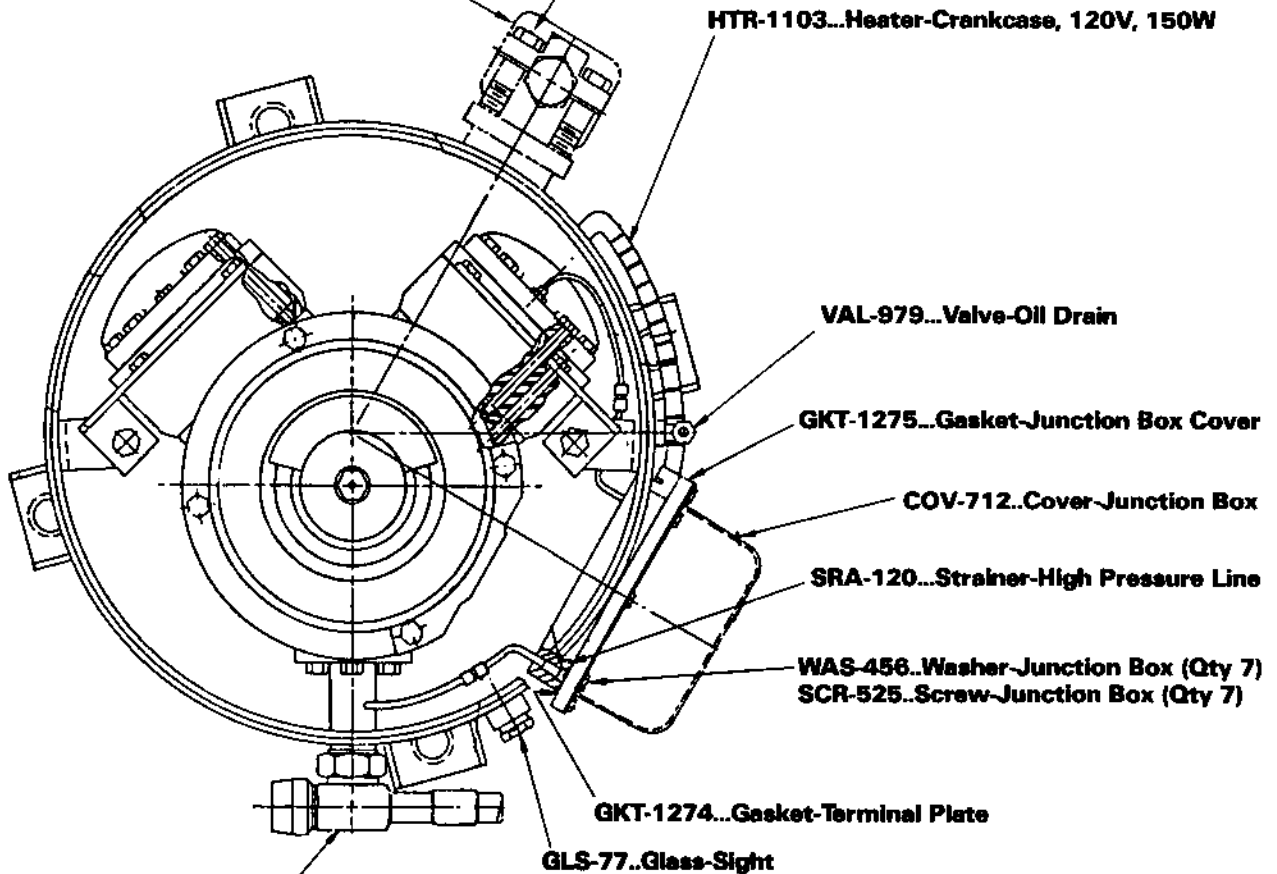
**Control Voltage**

A = 115 VAC

Suction Service Valve  
 VAL-8...1.62", 20 Ton  
 VAL-9...2.12", 25 or 30 Ton

Screw-Suction Service Valve Mounting  
 SCR-13...20 Ton (Qty 4)  
 SCR-582...25 or 30 Ton (Qty 4)

HTR-1103...Heater-Crankcase, 120V, 150W

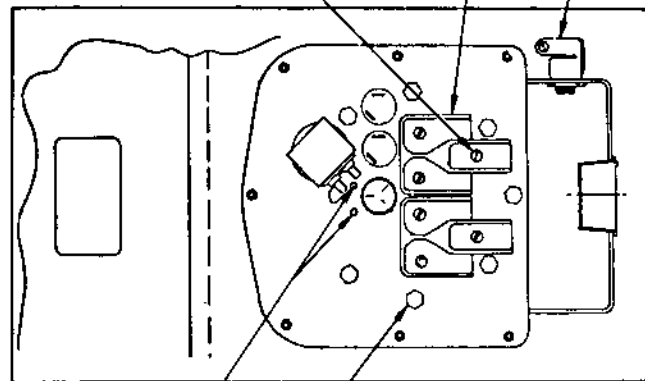


Valve & Gasket-Discharge Service  
 VAL-1957...1.12, 20 Ton Unit  
 VAL-1958...1.38, 25 & 30 Ton Unit  
 SEL-310...Gasket-Discharge Service Valve

GRP-27...Connector-Crankcase Heater  
 Wiring to Junction Box

INS-240...Insulator-Hermetic Terminal (Qty 2)

SCR-370...Screw-Hermetic Terminal  
 Insulator Mounting (Qty 6)



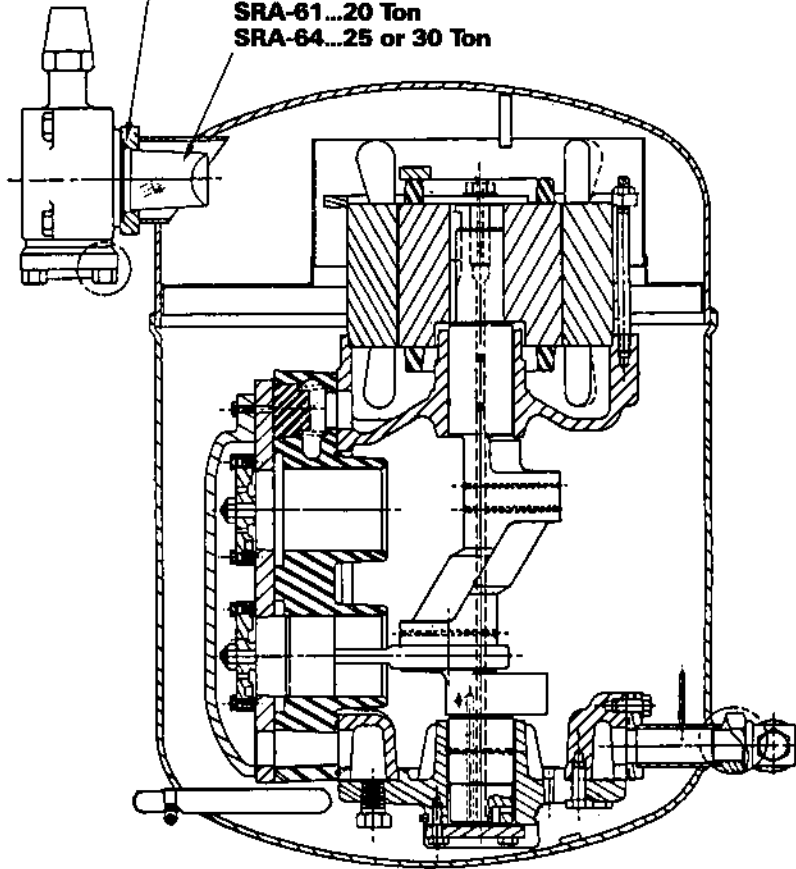
SCR-173...Screw-Terminal Plate  
 Mounting (Qty 11)

SCR-590...Screw-Terminal Plate Mounting (Qty 2)

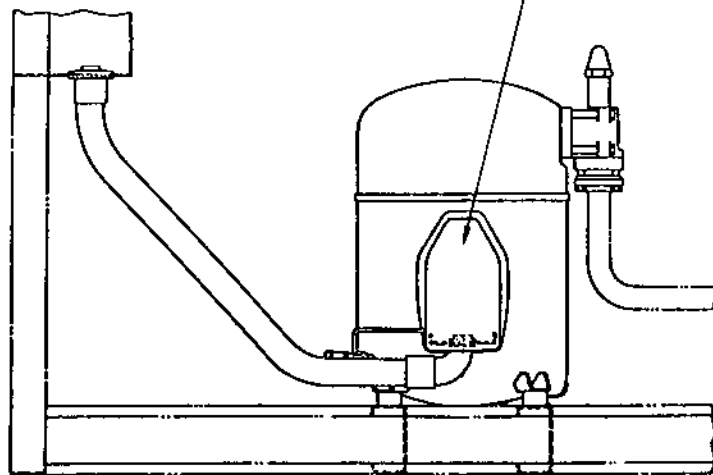
**Junction Box with Cover Removed**

**Gasket-Suction Service Valve**  
GKT-14...20 Ton  
GKT-15...25 or 30 Ton

**Strainer-Suction Gas**  
SRA-61...20 Ton  
SRA-64...25 or 30 Ton

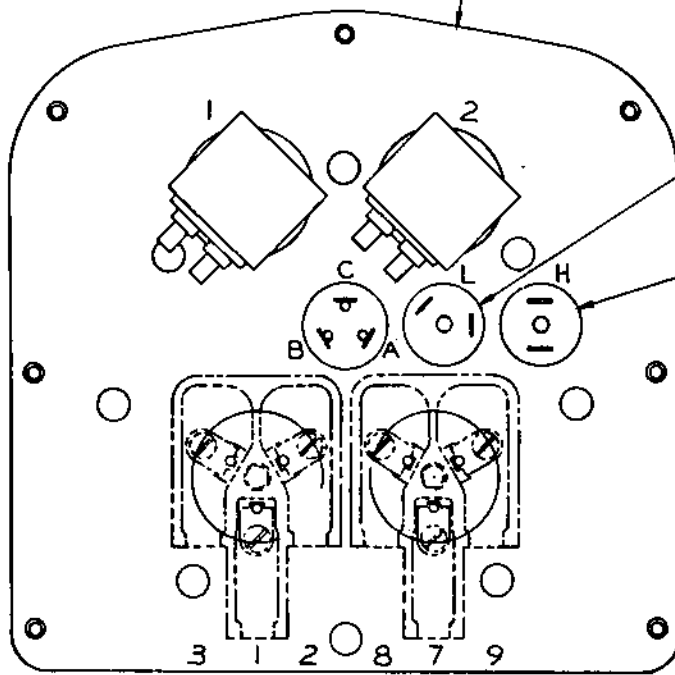


**Bus Bar**  
BAR-81...1.42 x 1.48 x .064 cu.  
BAR-82...1.94 x 4.25 x .064 cu.  
BAR-83...2.03 x 2.84 x .064 cu.



# Terminal Plate Assembly

PLT-949 . . Terminal Plate Assembly, 1 Unloader  
 PLT-950 . . Terminal Plate Assembly, 2 Unloader



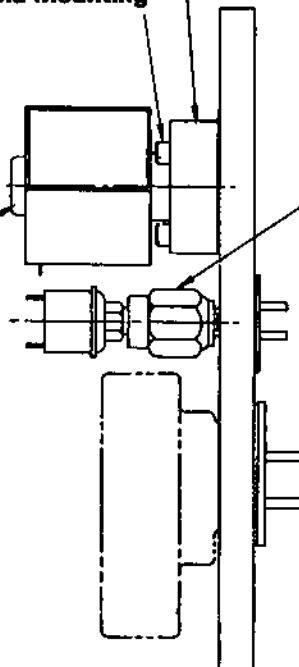
See Unit Parts List for replacement.

SWT-396..Switch-High Pressure

GKT-1273...Gasket-Solenoid Valve  
 20 Ton...Qty 1  
 25 or 30 Ton...Qty 2

SCR-701...Screw-Solenoid Mounting  
 20 Ton...Qty 3  
 25 or 30 Ton...Qty 6

VAL-2236 . . Valve Body (Alco)  
 COL-1638 . . Solenoid Coil (Alco)  
 COL-1301 . . Solenoid Coil (Asco)  
 \*Valve Body (Asco)  
 20 Ton . . Qty 1  
 25 or 30 Ton . . Qty 2



CON-103 . . Connector-Pressure Snubber  
 Prior to June 1985

CON-213 . . Connector-Pressure Snubber  
 June 1985 and After

\*Asco Valve Body is no longer available from vendor. On first time changeout order KJT-1044 (Consists of Alco Valve Body & Solenoid Coil)

## Parts Index

THIS IS A LISTING OF THE PART NUMBERS CONTAINED IN THE PARTS LIST AND IS IN ALPHA-NUMERIC ORDER TO MAKE PARTS IDENTIFICATION EASIER. THIS INDEX PROVIDES PART NUMBER, DESCRIPTION OF THE PART, QUANTITY AND WHETHER THE PART IS RECOMMENDED FOR LOCAL STOCK.

PART NO.	DESCRIPTION OF THE PART	REQ.	NO. RLS
BAR-81	BUSS BAR, 1.43 X 1.48 X .064 CU.	1	
BAR-82	BUSS BAR, 1.94 X 4.25 X .064 CU.	1	
BAR-83	BUSS BAR, 2.03 X 2.84 X .064 CU.	1	
COL-1301	COIL-SOLENOID, 115 VOLT, 50-60 CYCLE, 3 PHASE (ASCO)	1	+
COL-1638	COIL-SOLENOID, 115 VOLT, 50-60 CYCLE (ALCO)	1	+
CON-103	CONNECTOR-PRESSURE SNUBBER, .12 FPT, PRIOR TO JUNE 1985	1	
CON-213	CONNECTOR-PRESSURE SNUBBER, JUNE 1985 AND AFTER	1	
COV-712	COVER-JUNCTION BOX		1
GKT-14	GASKET-SUCTION SERVICE VALVE, 20 TON	1	+
GKT-15	GASKET-SUCTION SERVICE VALVE, 25 OR 30 TON	1	+
GKT-1273	GASKET-SOLENOID VALVE 20 TON . . . QTY 1 25 OR 30 TON . . . QTY 2	AR	+
GKT-1274	GASKET-TERMINAL PLATE	1	+
GKT-1275	GASKET-JUNCTION BOX COVER	1	+
GLS-77	GLASS-SIGHT	1	+
GRP-27	CONNECTOR-CRANKCASE HEATER WIRING TO JUNCTION BOX	1	
HTR-1103	HEATER-CRANKCASE, 120/60/1, 150 WATTS	1	+
INS-240	INSULATOR-HERMETIC TERMINAL	2	
KIT-1044	KIT-SOLENOID VALVE, ALCO 20 TON . . . QTY 1 25 OR 30 TON . . . QTY 2	AR	+
PLT-949	PLATE-TERMINAL, ASSEMBLY, 1 UNLOADER	1	+
PLT-950	PLATE-TERMINAL, ASSEMBLY, 2 UNLOADER	1	+
SCR-13	SCREW-SUCTION SERVICE VALVE MOUNTING, .50-13 X 3.25	4	
SCR-173	SCREW-TERMINAL PLATE MOUNTING, 7/16-14 X	1	11
SCR-370	SCREW-HERMETIC TERMINAL INSULATOR MOUNTING, 10-32X.50	6	
SCR-525	SCREW-JUNCTION BOX COVER MOUNTING, 1/4-20 X	1/2	7
SCR-582	SCREW-SUCTION SERVICE VALVE MOUNTING, 25 OR 30 TON	4	
SCR-590	SCREW-TERMINAL PLATE MOUNTING (OBTAIN LOCALLY)	2	
SCR-701	SCREW-SOLENOID MOUNTING, 10-32 X 1.00 20 TON . . . QTY 3 25 OR 30 TON . . . QTY 6	AR	
SEL-310	GASKET-DISCHARGE SERVICE VALVE	1	+
SRA-61	STRAINER-SUCTION GAS, 20 TON	1	
SRA-64	STRAINER-SUCTION GAS, 25 OR 30 TON	1	
SRA-120	STRAINER-HIGH PRESSURE LINE, .375 OD X .250 LG	1	
SWT-396	SWITCH-HIGH PRESSURE, OPEN 405 PSI, CLOSED 300 PSI	1	+
VAL-8	VALVE-SUCTION SERVICE, 1.62 ODS, 20 TON	1	+
VAL-9	VALVE-SUCTION SERVICE, 2.125 ODS, 25 OR 30 TON	1	+
VAL-979	VALVE-OIL DRAIN, 1/4 NPTE X 1/4 FFL	1	+
VAL-1957	VALVE-DISCHARGE SERVICE, 1.12 ODS X 1.75, 20 TON	1	+
VAL-1958	VALVE-DISCHARGE SERVICE, 1.38 X 1.75, 25 OR 30 TON	1	+
VAL-2236	VALVE-SOLENOID BODY (ALCO)	1	+
WAS-456	LOCKWASHER-JUNCTION BOX COVER MOUNTING, .25 ID X .49 OD	7	