



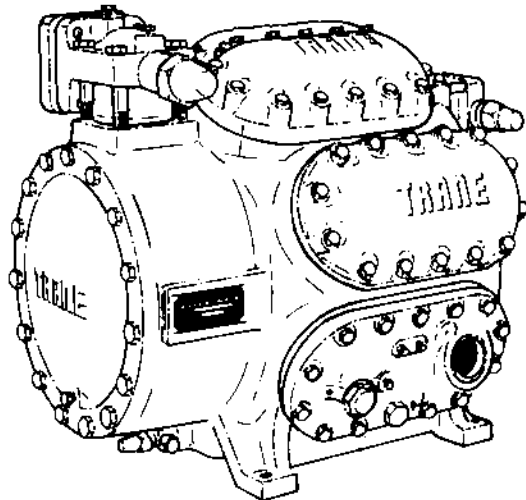
TRANE™

Unit Parts

Library	Service Literature
Product Section	Refrigeration
Product	Comp. Condensing Units 10-200 T
Model	OCOM
Literature Type	Unit Parts
Sequence	2A
Date	June 1984
File No.	SV-RF-COM-OCOM-UP-2A-684
Supersedes	OCOM-UP-2 1079
Ordering No.	OCOM-UP-2A

Since the Trane Company has a policy of continuous product improvement, it reserves the right to change specifications and design without notice. The installation and servicing of the equipment referred to in this booklet should be done by qualified, experienced technicians.

LITERATURE CHANGE
Revise illustration on page 5 so it agrees with parts reference numbers.



OPEN RECIPROCATING COMPRESSORS

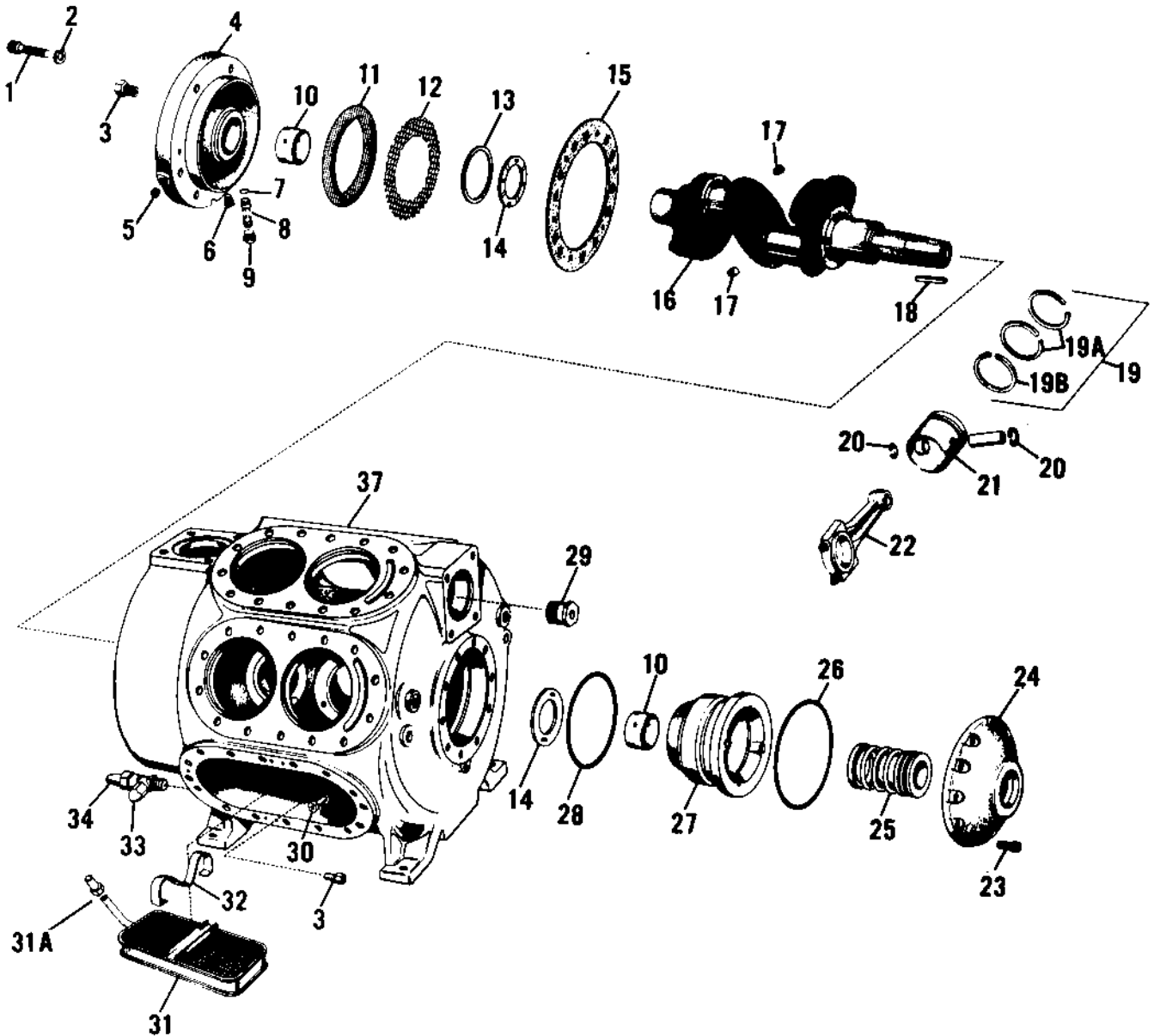
**MODEL F, 4-5-6-8 CYLINDER
DESIGN SEQUENCES A, B AND C**

RELIEF VALVE SETTINGS (385 PSI) _____ 3F-5B40
 BORE (2-3/4") AND STROKE (2") _____
 SPEED (1750 RPM) _____
 DESIGN SEQUENCE _____
 NUMBER CYLINDERS _____
 OPEN TYPE COMPRESSOR _____

SOLENOID CONTROLLED UNLOADERS _____ 3F-5A40N L
 LOW LIFT VALVES _____

FOR FURTHER INFORMATION ON THIS PRODUCT OR OTHER TRANE PRODUCTS, REFER TO THE "TRANE SERVICE LITERATURE CATALOG", ORDERING NUMBER IDX-IOM-1. THIS CATALOG CONTAINS LISTINGS AND PRICES FOR ALL SERVICE LITERATURE SOLD BY TRANE. THE CATALOG MAY BE ORDERED BY SENDING A \$15.00 CHECK TO: THE TRANE COMPANY, SERVICE LITERATURE SALES, 3600 PAMMEL CREEK ROAD, LA CROSSE, WI 54601.

TO HELP ENSURE OPTIMUM PERFORMANCE, BE SURE TO SPECIFY QUALITY TRANE PARTS.

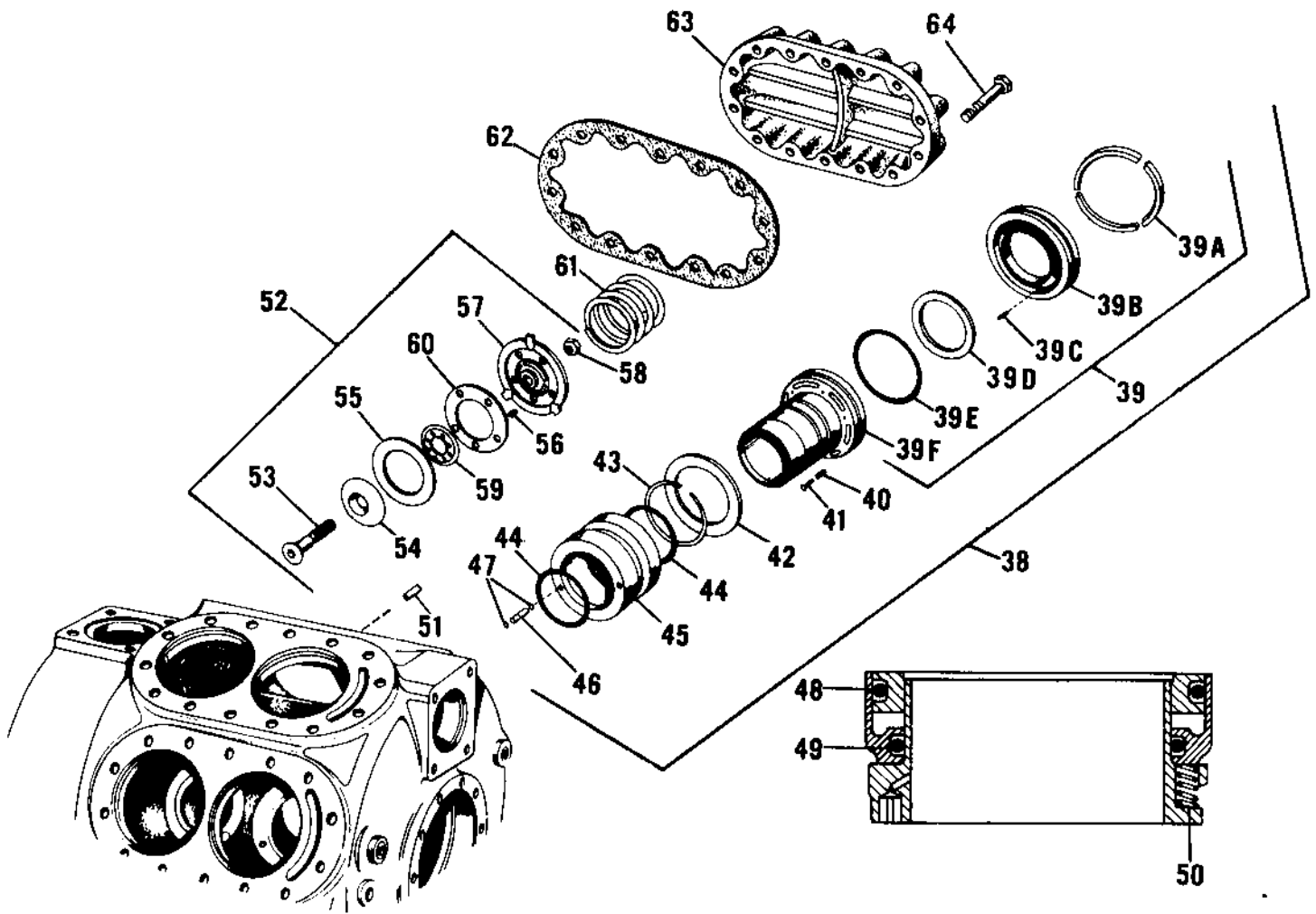


REF. NO.	PART NAME AND DESCRIPTION	PART NO.	QUANTITY REQUIRED			
			4 CYL.	5 CYL.	6 CYL.	8 CYL.
1	Screw - Cap, 12 Pt. Hd., 3/8-24 x 1-1/2 -----	SCR-40	6	6	6	6
2	Lockwasher, 3/8 -----	WAS-13	6	6	6	6
3	Valve - Oil Check -----	VAL-60	4	4	4	4
4	Bearing Head Assembly, Pump End, Including 1 Ea. Ref. No. 10 -----	BRG-47	1	1	1	1
5	Plug - Pipe, Soc. Hd., Magnetic, 1/4 N.P.T. -----	PLU-10	1	1	1	1
6	Plug - Pipe, Hex Hd., 1/4 N.P.T. -----	PLU-37	1	1	1	1
7	"O" Ring, Oil Relief Valve -----	RNG-69	1	1	1	1
8	Valve - Oil Relief -----	VAL-138	1	1	1	1
9	Plug - Oil Relief Valve, Hex Hd., Nylok, 11/16-16	PLU-65	1	1	1	1
10	Bearing Insert -----	BRG-65	2	2	2	2
11	Breaker - Foam -----	BKR-6	1	1	1	1
12	Ring - End -----	RNG-94	1	1	1	1
13	Ring - Retaining -----	RNG-89	1	1	1	1
14	Bearing - Thrust -----	BRG-62	2	2	2	2
15	Shim - Bearing Head, .010" -----	SHM-23	*	*	*	*
15	Shim - Bearing Head, .015" -----	SHM-24	*	*	*	*
16	Crankshaft, Including Magnetic Plugs -----	CSF-17	1			
16	Crankshaft, Including Magnetic Plugs -----	CSF-18		1		
16	Crankshaft, Including Magnetic Plugs -----	CSF-19			1	
16	Crankshaft, Including Magnetic Plugs -----	CSF-20				1
17	Plug - Magnetic, 1/4 MPT -----	PLU-10	2	2	2	2
18	Key - Crankshaft -----	KEY-2	1	1	1	1
19	Piston Ring Kit ----- Consisting of: 2 Ea. Ref. No. 19A, 1 Ea. Ref. No. 19B	RNG-78	4	5	6	8
19A	Ring - Compression -----	RNG-95	8	10	12	16
19B	Ring - Oil -----	RNG-96	4	5	6	8
20	Ring - Retaining -----	RNG-97	8	10	12	16
21	Piston, Including Pin and Retaining Rings -----	PST-20	4	5	6	8
22	Rod - Connecting -----	ROD-37	4	5	6	8
23	Screw - Cap, Hex Hd., 7/16-14 x 1-1/2 -----	SCR-160	10	10	10	10
24	Cover - Seal -----	COV-147	1	1	1	1
25	Seal Assembly, Including Ref. No. 26 -----	SEL-32	1	1	1	1
26	"O" Ring - Seal Cover to Housing -----	RNG-67	1	1	1	1
27	Bearing Head Assembly, Seal End, Including 1 Ea. Ref. No. 10 (Standard Lift Valves) -----	BRG-63	1	1	1	1
27	Bearing Head Assembly, Seal End, Including 1 Ea. Ref. No. 10 (Low Lift Valves) -----	BRG-71	1	1	1	1
28	"O" Ring, Bearing Head Assembly to Housing -----	RNG-65	1	1	1	1
29	Valve - Relief, 385 PSI, 3/4" N.P.T. -----	VAL-193	1	**	**	**
29	Valve - Relief, 385 PSI, 1" N.P.T. -----	VAL-240		**	**	**
30	Valve - Oil Check -----	VAL-55	2	2	2	2
31	Strainer - Oil -----	SRA-46	1	1	1	1
31A	Adapter-Compression Elbow, 1/2 OD x 3/8 MPT -----	ADP-57	1	1	1	1
32	Spring - Retaining -----	SPG-30	1	1	1	1
33	Valve - Angle, 3/8 -----	VAL-31	1	1	1	1
34	Nut - Cap, Angle Valve -----	NUT-16	1	1	1	1
37	Housing - Compressor, 4 Cylinder -----	HUS-145	1			
37	Housing - Compressor, 5 Cylinder -----	HUS-146		1		
37	Housing - Compressor, 6 Cylinder -----	HUS-147			1	
37	Housing - Compressor, 8 Cylinder -----	HUS-148				1

* As Required.

** Compressors Manufactured Before June, 1958, Use 1 VAL-193.

Compressors Manufactured After June, 1958, Use 1 VAL-240.



Open Reciprocating Compressor-Model F - 4-8 Cylinder Design Sequence A and B.

REF. NO.	PART NAME AND DESCRIPTION	PART NO.	QUANTITY REQUIRED			
			4 CYL.	5 CYL.	6 CYL.	8 CYL.
38	Cylinder Assembly With Unloaders (Std. Lift Valve)	LNR-25	3	3	4	6
38	Cylinder Assembly With Unloaders (Low Lift Valve)	LNR-31	3	3	4	6
	Consisting of Items 39 thru 50:					
39	Cylinder Assembly, Without Unloaders (Standard Lift Valve) -----	LNR-26	1	2	2	2
39	Cylinder Assembly, Without Unloaders (Low Lift Valve) -----	LNR-32	1	2	2	2
	Consisting of Items 39A thru 39F:					
39A	Ring - Retaining -----	RNG-98	3	3	3	3
39B	Plate-Valve (Standard Lift Valve) -----	PLT-107	1	1	1	1
39B	Plate-Valve (Low Lift Valve) -----	PLT-126	1	1	1	1
39C	Spring-Valve (Standard Lift Valve) -----	SPG-37	6	6	6	6
39C	Spring-Valve (Low Lift Valve) -----	SPG-37	3	3	3	3
39D	Valve-Suction -----	VAL-194	1	1	1	1
39E	"O" Ring-Valve Plate -----	RNG-99	1	1	1	1
39F	Liner-Cylinder -----	LNR-20	1	1	1	1

Open Reciprocating Compressor-Model F - 4-8 Cylinder Design Sequence A and B. (Cont.)

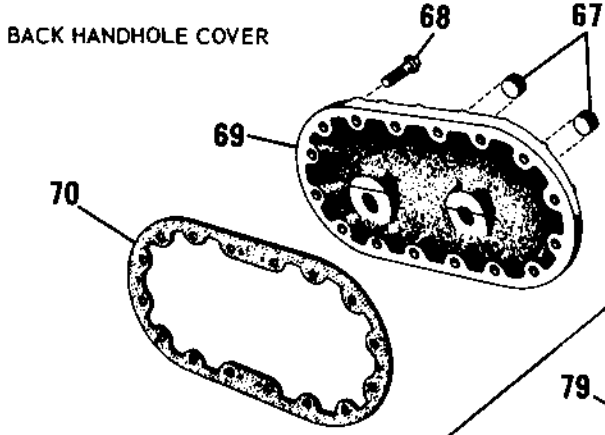
REF. NO.	PART NAME AND DESCRIPTION	PART NO.	QUANTITY REQUIRED			
			4 CYL.	5 CYL.	6 CYL.	8 CYL.
40	Spring-Lift Pin -----	SPG-38	6	6	6	6
41	Pin-Lift -----	PIN-24	6	6	6	6
42	Ring-Take Up -----	RNG-100	1	1	1	1
43	Ring-Retaining -----	RNG-101	1	1	1	1
44	"O" Ring-Cylinder Liner to Unloader -----	RNG-102	2	2	2	2
45	Unloader Assy. -----	UNL-4	1	1	1	1
46	Convactor-Oil -----	CON-1	6	6	6	6
47	"O" Ring-Oil Connector -----	RNG-10	2	2	2	2
48	"O" Ring-Unloader Seal Ring -----	RNG-103	1	1	1	1
49	"O" Ring-Unloader Piston -----	RNG-53	1	1	1	1
50	Spring-Unloader Piston -----	SPG-23	14	14	14	14
51	Pin-Roll, 3/16 x 1 -----	PIN-4	1	1	1	1
52	Discharge Valve Assembly -----	VAL-1610	4	5	6	8
	Consisting Of:					
53	Bolt - Valve Cage -----	BLT-64	4	5	6	8
54	Seat - Discharge Valve -----	SET-7	4	5	6	8
55	Valve - Discharge -----	VAL-195	4	5	6	8
56	Spring - Discharge Valve -----	SPG-4	4	5	6	8
57	Cage - Valve -----	CAG-34	4	5	6	8
58	Locknut - Valve Cage Bolt -----	NUT-72	24	30	36	48
*59	Retainer - Cushion -----	RTR-9	4	5	6	8
*60	Cushion - Valve -----	CUS-10	4	5	6	8
61	Spring-Cylinder -----	SPG-39	4	5	6	8
62	Gasket-Cylinder Head -----	GKT-252	2	3	3	4
63	Head-Cylinder -----	HD-19	2	3	3	4
64	Screw-Cap, Hex Hd., 7/16-14 x 2-1/2 -----	SCR-44	28	42	42	56
***	Kit-Cylinder "O" Ring -----	KIT-40	4	5	6	8
	Consisting of:					
	"O" Ring-Suction Valve Plate (1 Ea. Ref. 39E) --	RNG-99				
	"O" Ring-Unloader Seal Ring (1 Ea. Ref. 48) ----	RNG-103				
	"O" Ring-Unloader Piston (1 Ea. Ref. 49) -----	RNG-53				
	"O" Ring-Cylinder Liner (2 Ea. Ref. 44) -----	RNG-102				
	"O" Ring-Oil Connector (2 Ea. Ref. 49) -----	RNG-10				
***	Kit-Compressor Gasket and "O" Ring -----	KIT-47	1**	1**	1**	1**

* RTR-9 and CUS-10 will continue to be available for previous design discharge valve assembly (VAL-666) on an "as needed" basis.

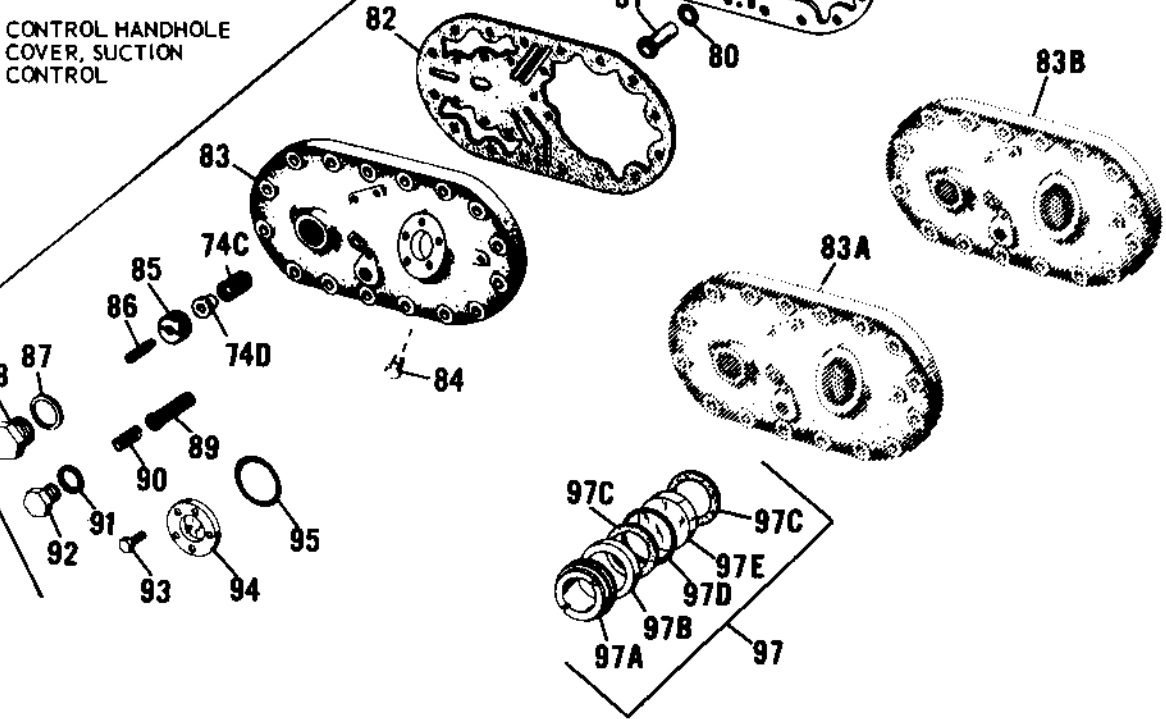
** Consists of 1 Ea. RNG-69, RNG-67, RNG-65, GKT-30, GKT-251, GKT-15, GKT-12, GKT-14, RNG-61, GKT-24, RNG-52, GKT-254, RNG-58, RNG-34, GKT-29, RNG-207, GKT-281; 2 Ea. GKT-253, GKT-51; 3 Ea. SHM-23, SHM-24; 4 Ea. GKT-252; 9 Ea. RNG-38. One KIT-47 and Required Number of KIT-40 (Depending on Number of Compressor Cylinders) Are Needed For Complete Compressor Overhaul.

*** Not Illustrated.

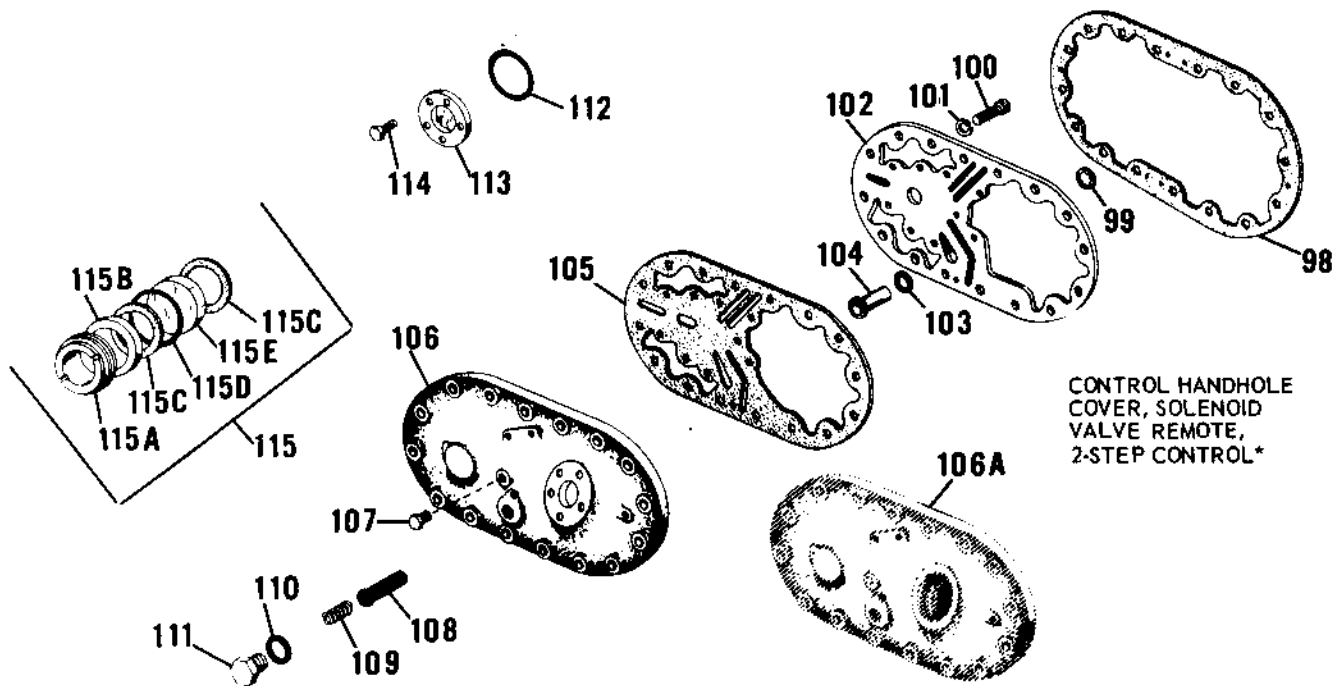
BACK HANDHOLE COVER



CONTROL HANDHOLE COVER, SUCTION CONTROL



REF. NO.	PART NAME AND DESCRIPTION	PART NO.	NO. REQ.
67	Plug - Pipe, CTSK, 3/4-14 NPT-----	PLU-48	2
68	Screw - Cap, Hex Hd., 7/16-14 x 1-3/4-----	SCR-67	14
69	Cover - Handhole-----	COV-151	1
70	Gasket - Handhole Cover -----	GKT-253	1
71	Cover - Handhole Assembly, Complete ----- Consisting of:	COV-559	1
72	Screw - Cap, 12 Pt. Hd., 3/8-24 x 1-3/4-----	CNT-46	7
73	Lockwasher, 3/8-----	WAS-17	7
74	Capacity Control Assembly, Complete ----- Consisting of:	CNT-4	1
74A	Bellows Assembly, Including Bellows Stop Sleeve-----	BEL-2	1
74B	"O" Ring - Capacity Control -----	RNG-61	1
74C	Spring - Bellows, Green (Used on R-22 Units)-----	SPG-42	1
74C	Spring - Bellows, Black (Used on R-12 Units)-----	SPG-43	1
74D	Seat - Spring -----	SET-9	1
74E	Gasket - Capacity Control-----	GKT-24	1
75	Gasket - Handhole Cover -----	GKT-253	1
76	Ring- Retaining-----	RNG-93	1
77	Screw - Cap, 12 Pt. Hd., 3/8-24x1-----	SCR-168	1
78	Lockwasher, 3/8 -----	WAS-17	1
79	Plate - Distributor -----	PLT-109	1
80	"O" Ring - Strainer Screen Cover -----	RNG-52	1
81	Cover - Strainer- Screen -----	COV-4	1
82	Gasket - Distributor -----	GKT-254	1
83	Cover - Control Handhole (B Design Sequence)-----	COV-315	1
83A	Cover - Control Handhole (A Design Sequence, Internal Removable Bellows Spring)-----	(2)	1
83B	Cover - Control Handhole (A Design Sequence, External Removable Bellows Spring)-----	(3)	1
84	Screw - Cap, Hex Hd., 7/16-14x1-3/4-----	SCR-67	14
85	Screw (Used Only on Actuator Control Handhole Cover Assembly With External Removable Bellows Spring)-----	SCR-210	1
86	Screw - Bellows Adjusting -----	SCR-47	1
87	Gasket - Bellows Adjusting Screw -----	GKT-29	1
88	Plug - Bellows Adjusting Screw -----	PLU-13	1
89	Screen - Strainer -----	SRN-2	1
90	Spring - Strainer Screen -----	SPG-6	1
91	"O" Ring - Strainer Screen -----	RNG-34	1
92	Plug - Strainer Screen -----	PLU-12	1
93	Screw - Cap, Hex Hd., 1/4-20x3/4 (B and C Design Sequence)--	SCR-30	5
94	Sight Glass (B and C Design Sequence)-----	GLS-34	1
95	"O" Ring - Sight Glass (B and C Sequence)-----	RNG-207	1
97	Kit - Sight Glass Assembly, Complete (A Design Sequence)----- Consisting of:	KIT-12	1
97A	Nut - Sight Glass -----	NUT-62	1
97B	Bushing - Sight Glass -----	BUS-28	1
97C	Gasket - Sight Glass -----	GKT-51	2
97D	"O" Ring - Sight Glass-----	RNG-58	1
97E	Sight Glass-----	GLS-4	1
98	Gasket - Handhole Cover -----	GKT-253	1
99	Ring - Retaining -----	RNG-93	1
100	Screw - Cap, 12 Pt. Hd., 3/8-24 x 1 -----	SCR-168	8
101	Lockwasher, 3/8 -----	WAS-17	8
102	Plate - Distributor -----	PLT-112	1
103	"O" Ring - Strainer Screen Cover -----	RNG-52	1
104	Cover - Strainer Screen -----	COV-4	1
105	Gasket - Distributor-----	GKT-254	1
106	Cover - Control Handhole (B and C Design Sequence)-----	COV-683	1
106A	Cover - Control Handhole (B and C Design Sequence)-----	(1)	1

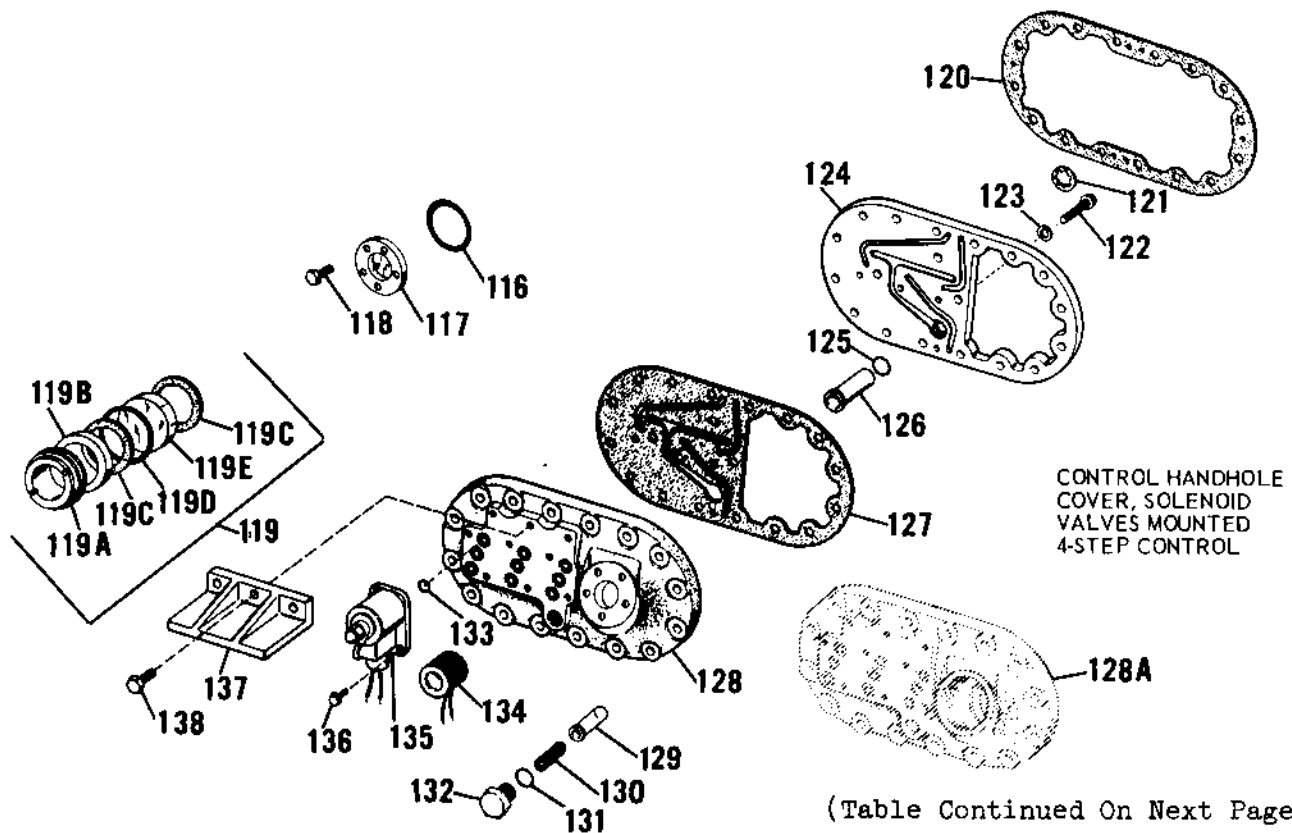


REF. NO.	PART NAME AND DESCRIPTION	PART NO.	NO. REQ.
107	Plug - Pipe, Hex Hd., 1/8 -----	PLU-20	4
108	Screen - Strainer -----	SRN-2	1
109	Spring - Strainer Screen -----	SPG-6	1
110	"O" Ring - Strainer Screen -----	RNG-34	1
111	Plug - Strainer Screen -----	PLU-12	1
112	"O" Ring - Sight Glass (B and C Design)-----	RNG-207	1
113	Sight Glass (B and C Design) -----	GLS-34	1
114	Screw - Cap, Hex Hd., 1/4-20-3/4 (B and C Design)-----	SCR-30	5
115	Kit - Sight Glass Assembly, Complete (B and C Design)-----	KIT-12	1
	Consisting of:		
115A	Nut - Sight Glass -----	NUT-62	1
115B	Bushing - Sight Glass -----	BUS-28	1
115C	Gasket - Sight Glass -----	GKT-51	2
115D	"O" Ring - Sight Glass -----	RNG-58	1
115E	Sight Glass -----	GLS-4	1
**	Valve-Remote, Solenoid, 3-Way, ASCO No. CX-8320A15T, 110-220/50-60 (Including Mounting Bracket) -----	VAL-545	1
*	Coil-Remote Solenoid Valve, 110-220/50-60 ASCO No. 96-619-1D (Use With ASCO Valve No. CX-8320A15T) -----	COL-1232	1
*	Coil-Remote Solenoid Valve, 115/60, ASCO No. 27-462-1D (Use With ASCO Valve No. TX831A32) -----	COL-79	1
*	Valve-Remote Solenoid, 3-Way, ASCO No. CX-8320A15T, 220-240/50/60 (Including Mounting Bracket) -----	VAL-543	1
*	Coil-Remote Solenoid Valve, 220-240/50-60 ASCO No. 96-619-2D (Use With ASCO Valve No. CX-8320A15T) -----	COL-1233	1
	Coil-Remote Solenoid Valve, 230/60 ASCO No. 27-462-2 (Use With ASCO Valve No. TX8314A32) -----	C-38	1

*The ASCO Number and Voltage From Valve On Unit Must Be Known To Order Correct Replacement Coil. They Are Not Interchangeable.

**Not Illustrated

(Notes Continued on Next Page)



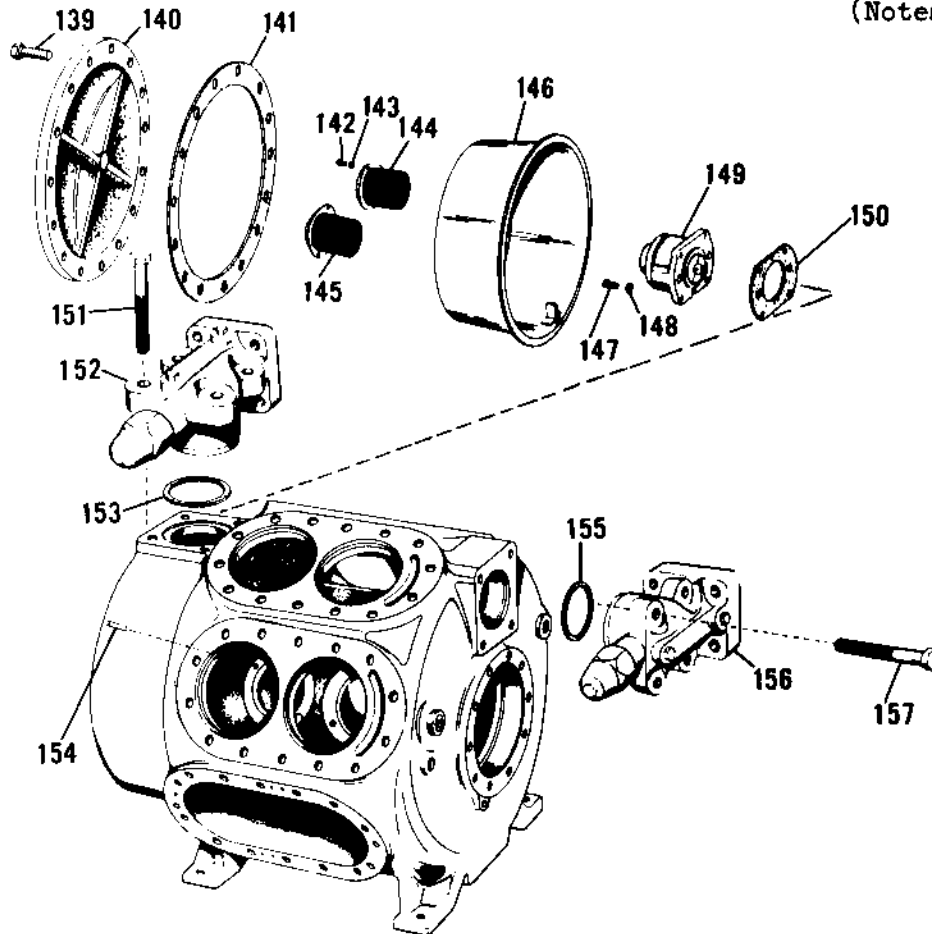
(Table Continued On Next Page)

- (1) This Cover (Ref. No. 106A With Threaded Sight Glass) Has Been Obsoleted. However, Ref. No.'s 68, 98 Through 105, 107 Through 111, 115 and The Solenoid Valve and Coil Are Available For Replacement. If The Cover Is To Be Replaced, Order Ref. No.'s 98, 103, 105, 106, 110, 112, 113 and 114.
- (2) This Cover (Ref. No. 83A With Threaded Sight Glass) has been obsoleted. However, Ref. No.'s 72 through 82, 84, 86 through 92 and 97 are available for replacement. If the cover is to be replaced, Order Ref. No's 74B, 74E, 80, 82, 83, 85, 87, 91, 93, 94, 95.
- (3) This Cover (Ref. No. 83B With Threaded Sight Glass) has been obsoleted. However, Ref. No.'s 72 through 82, 74C, 74D, 84, 85 through 92 and 97 are available for replacement. If the Cover is to be replaced, Order Ref. No.'s 74B, 74E, 75, 80, 82, 83, 87, 91, 93, 94, 95.

REF. NO.	PART NAME AND DESCRIPTION	PART NO.	NO. REQ.
116	"O" Ring - Sight Glass (B and C Design)-----	RNG-207	1
117	Sight Glass (B and C Design)-----	GLS-34	1
118	Screw - Cap, Hex Hd., 1/4-20 x 3/4 (B and C Design)-----	SCR-30	5
119	Kit - Sight Glass Assembly, Complete (A Design Sequence) -----	KIT-12	1
	Consisting of:		
119A	Nut - Sight Glass -----	NUT-62	1
119B	Bushing - Sight Glass -----	BUS-28	1
119C	Gasket - Sight Glass -----	GKT-51	2
119D	"O" Ring - Sight Glass -----	RNG-58	1
119E	Sight Glass -----	GLS-4	1
120	Gasket - Handhole Cover -----	GKT-253	1
121	Ring - Retaining -----	RNG-93	1
122	Screw - Cap, 12 Pt. Hd., 3/8-24 x 1 -----	SCR-168	3
123	Lockwasher, 3/8 -----	WAS-17	3
124	Plate - Distributor -----	PLT-130	1
125	"O" Ring - Strainer Screen Cover -----	RNG-52	1
126	Cover - Strainer Screen -----	COV-4	1

REF. NO.	PART NAME AND DESCRIPTION	PART NO.	NO. REQ.
127	Gasket - Distributor -----	GKT-281	1
128	Cover - Control Handhole (B and C Design) -----	COV-317	1
128A	Cover - Control Handhole (A Design Sequence) -----	(1)	1
129	Screen - Strainer -----	SRN-2	1
130	Spring - Strainer Screen -----	SPG-6	1
131	"O" Ring - Strainer Screen -----	RNG-34	1
132	Plug - Strainer Screen -----	PLU-12	1
133	"O" Ring - Solenoid Valve Mounting -----	RNG-38	9
135	Valve - Solenoid, 3-Way, 230 Volt, 50-60 Cycle, Asco No. CLBX8351B14 -----	VAL-669	3
135	Valve - Solenoid, 3-Way, 115 Volt, 50-60 Cycle, Asco No. CLBX8351B14 -----	VAL-670	3
134	Coil - Solenoid Valve, Asco No. 64-982-5, 230 Volt, 50-60 Cycle (Use With ASCO Valve No. 831551, 230 Volt) -----	COL-65*	3
134	Coil - Solenoid Valve, ASCO No. 64-982-4, 115 Volt, 50-60 Cycle (Use With ASCO Valve No. 831551, 115 Volt) -----	COL-70*	3
134	Coil - Solenoid Valve, ASCO No. 99-216-2D, 230 Volt, 50-60 Cycle (Use With ASCO Valve No. CLBX8351B14, 230 Volt) -----	COL-825*	3
134	Coil - Solenoid Valve, ASCO No. 99-216-1D, 115 Volt, 50-60 Cycle (Use With ASCO Valve No. CLBX8351B14, 115 Volt) -----	COL-824*	3
134	Coil-Solenoid, Product Eng. for use on VAL-669, 230 volt, 50/60 cycle -----	COL-2544	3
134	Coil-Solenoid, Product Eng. for use on VAL-670, 115 volt, 50/60 cycle -----	COL-2545	3
136	Screw, 1/4-20 x 5/8 -----	SCR-202	6
137	Guard Plate -----	GRD-39	1
138	Screw - Cap, Hex Hd., 5/16-18 x 7/8 -----	SCR-31	3

(Notes on Next Page)



* The ASCO Number and Voltage From Valve on Compressor Must Be Known To Order Correct Replacement Coil. They Are Not Interchangeable.

- (1) This Cover (Ref. No. 128A With Threaded Sight Glass) Has Been Obsoleted. However, Ref. No.'s 68, 119 Through 127 and 129 Through 138 Are Available For Replacement. If The Cover Is To Be Replaced, Order Ref. No.'s 116, 117, 118, 120, 125, 127, 128, 131 and 133.

REF. NO.	PART NAME AND DESCRIPTION	PART NO.	QUANTITY REQUIRED			
			4 CYL.	5 CYL.	6 CYL.	8 CYL.
139	Screw - Cap, Hex Hd., 1/2-13 x 1-1/2 -----	SCR-2	15	15	15	15
140	Cover - Suction -----	COV-6	1	1	1	1
141	Gasket - Suction Cover -----	GKT-30	1	1	1	1
142	Screw - Round Head, No. 10-32 x 3/8 -----	SCR-64	10	10	10	10
143	Lockwasher - Steel, No. 10 -----	WAS-18	10	10	10	10
144	Screen - Suction Strainer -----	SRN-3	2	3	3	4
145	Filter - Oil -----	FLR-6	1	1	1	1
146	Pan - Suction Strainer -----	PAN-3	1	1	1	1
147	Screw - Cap, 12 Pt. Hd., 5/16-24 x 3/4 -----	SCR-167	4	4	4	4
148	Lockwasher, 5/16 -----	WAS-14	4	4	4	4
149	Pump - Oil -----	PMP-14	1	1	1	1
150	Gasket - Oil Pump -----	GKT-251	1	1	1	1
151	Screw - Cap, Hex Hd., 5/8-11 x 4 -----	SCR-317	4	4	4	4
152	Valve - Suction Service, 2-1/8" O.D.S. -----	VAL-9+	1	1		
152	Valve - Suction Service, 2-5/8" O.D.S. -----	VAL-35+			1	1
153	Gasket - Suction Service Valve -----	GKT-15	1	1	1	1
154	Pin - Roll, 3/16" x 1" -----	PIN-4	3	3	4	6
155	Gasket - Discharge Service Valve -----	GKT-12	1			
155	Gasket - Discharge Service Valve -----	GKT-14		1	1	1
156	Valve - Discharge Service, 1-3/8" O.D.S. -----	VAL-76+	1			
156	Valve - Discharge Service, 1-5/8" O.D.S. -----	VAL-8+		1	1	1
157	Screw - Cap, Hex Hd., 1/2-13 x 2 -----	SCR-11	2			
157	Screw - Cap, Hex Hd., 1/2-13 x 3-1/4 -----	SCR-13		4	4	4

+ Only Valve Assemblies Are Available From Trane. Component Parts For Valves Must Be Obtained From Local Distributors.

RECOMMENDED SPARE PARTS LIST PER COMPRESSOR

REF. NO.	PART NAME AND DESCRIPTION	PART NO.	NO. REQ.
4	Pump End Bearing Head With Insert -----	BRG-47	1
7	Relief Valve "O" Ring -----	RNG-69	2
8	Oil Relief Valve -----	VAL-138	1
10	Bearing Insert -----	BRG-65	-
14	Thrust Bearing -----	BRG-62	2
16	Crankshaft and Magnetic Plugs -----	As Req'd.	-
19	Piston Ring Kit -----	RNG-78	1 Set
21	Piston, Pin and Retaining Rings -----	PST-20	-
22	Connecting Rod -----	ROD-37	1 Set
25	Seal Assembly, Including Ref. No. 26 -----	SEL-32	1
27	Seal End Bearing Head With Insert (Std. Lift Valves) -----	BRG-63	1
27	Seal End Bearing Head With Insert (Low Lift Valves) -----	BRG-71	1
29	Relief Valve (4 Cylinder) -----	VAL-193	1
29	Relief Valve (5-6-8 Cylinder) -----	VAL-240	1
39A	Retaining Rings -----	RNG-98	1 Set
39B	Valve Plate (Standard Lift Valves) -----	PLT-107	1
39B	Valve Plate (Low Lift Valves) -----	PLT-126	1
39C	Valve Springs -----	SPG-37	1 Set
39D	Suction Valve -----	VAL-194	1
39F	Cylinder Liner -----	LNR-20	1
45	Unloader Assembly -----	UNL-4	1
54	Discharge Valve -----	VAL-195	1
56	Valve Cushion -----	CUS-10	1
57	Discharge Valve Springs -----	SPG-4	1 Set
73	Capacity Control Assembly -----	CNT-4	1
116	Sight Glass "O" Ring (B and C Design) -----	RNG-207	1
117	Sight Glass, Fused (B and C Design) -----	GLS-34	1
119	Sight Glass Kit (A Design Sequence) -----	KIT-12	1
145	Oil Filter -----	FLR-6	1
149	Oil Pump -----	PMP-14	1
**	Cylinder "O" Ring Kit -----	KIT-40	1 Set
**	Compressor Gasket and "O" Ring Kit -----	KIT-47	1 Set

** Not Illustrated.