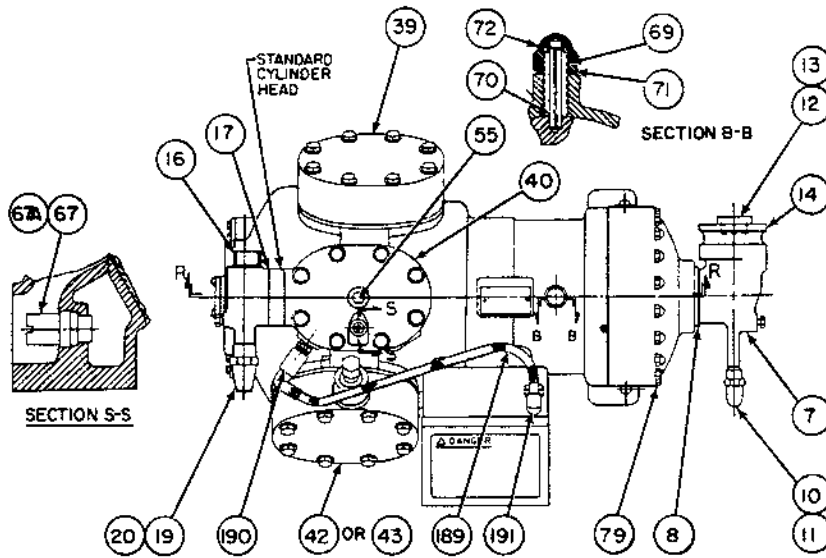
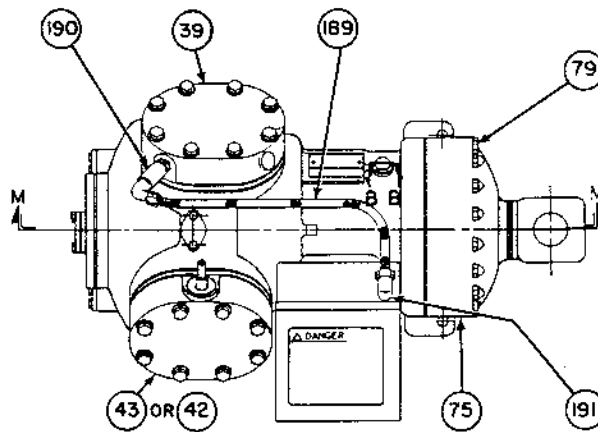
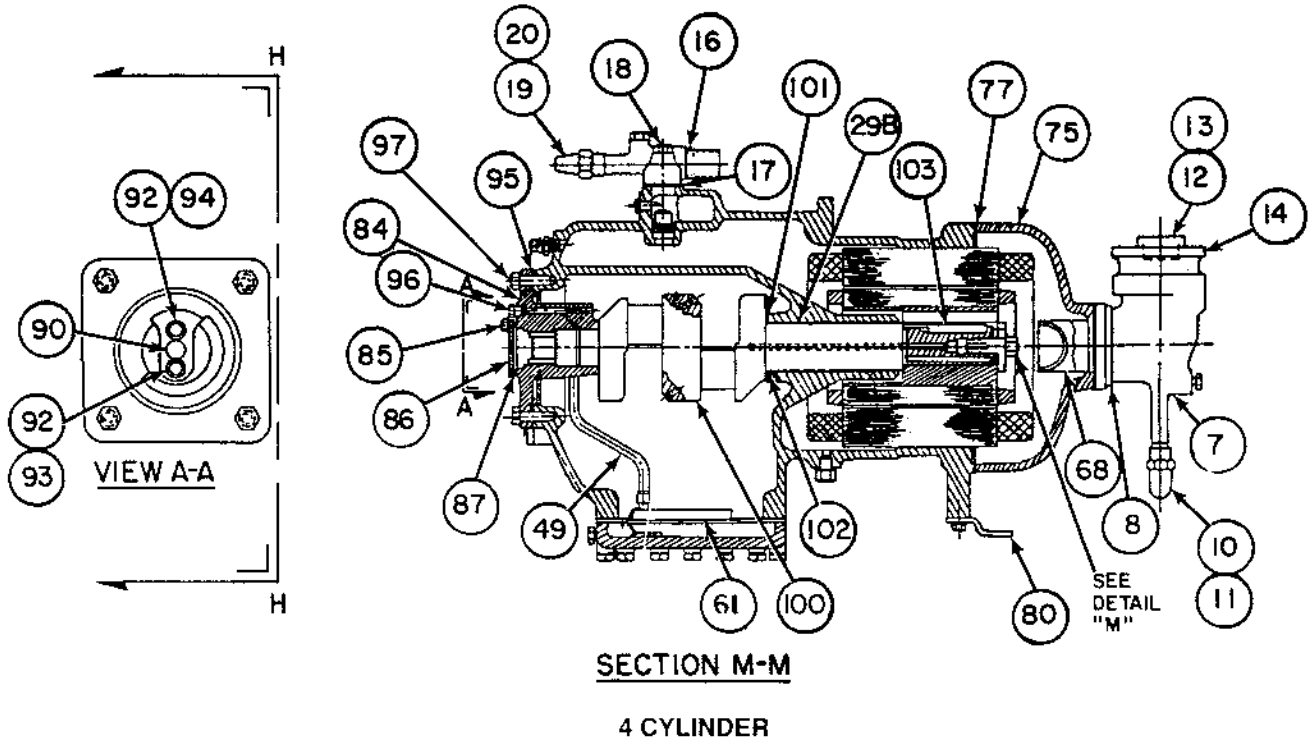
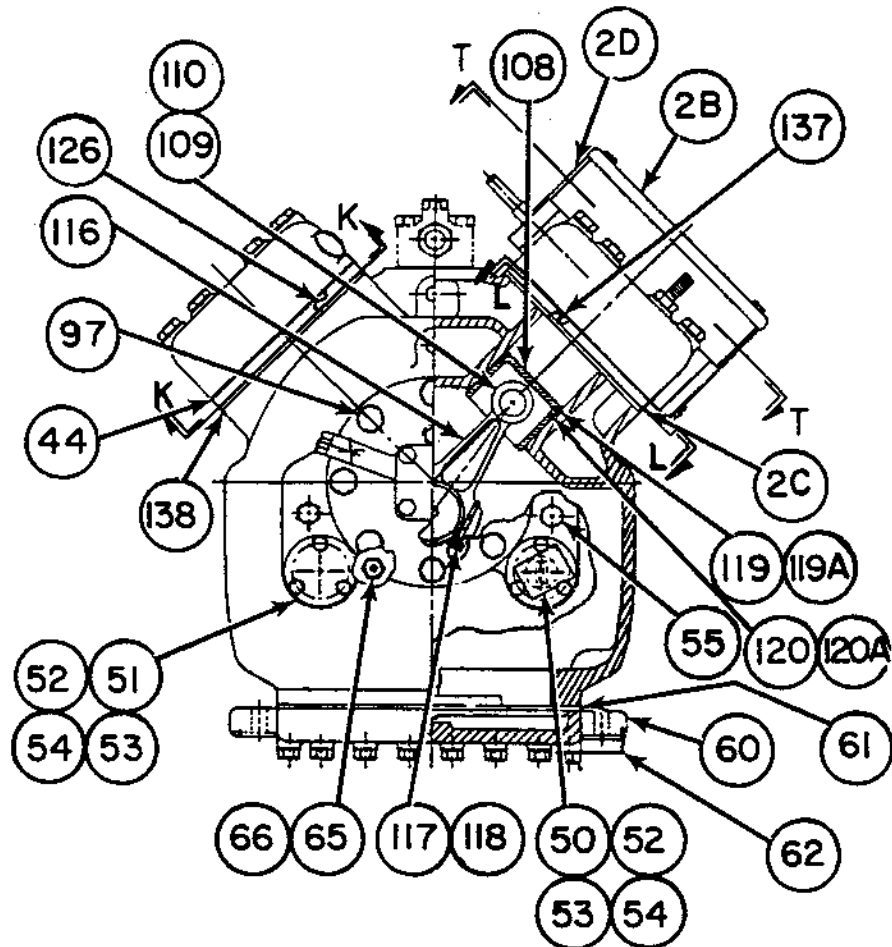
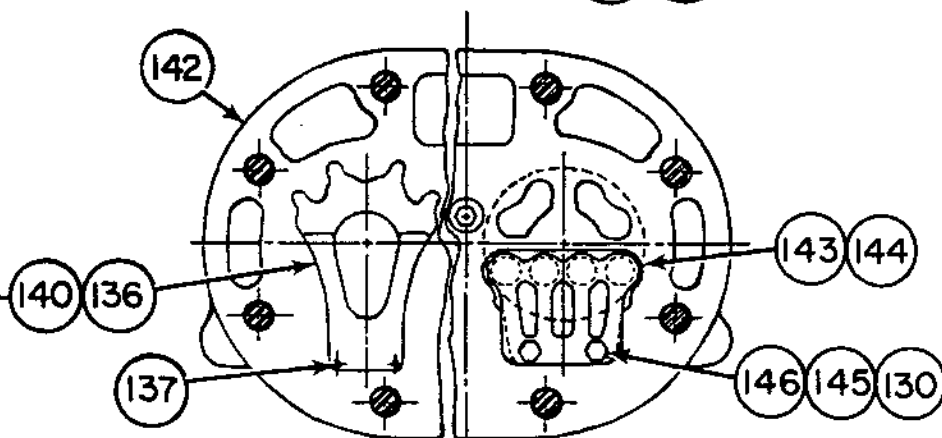

REVERSED HEAD

6 CYLINDER W/PRESSURE UNLOADER

4 CYLINDER W/ELECTRIC UNLOADER



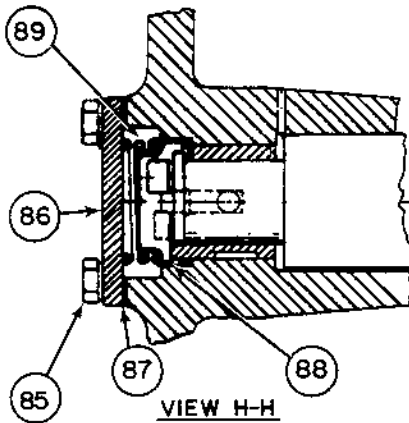
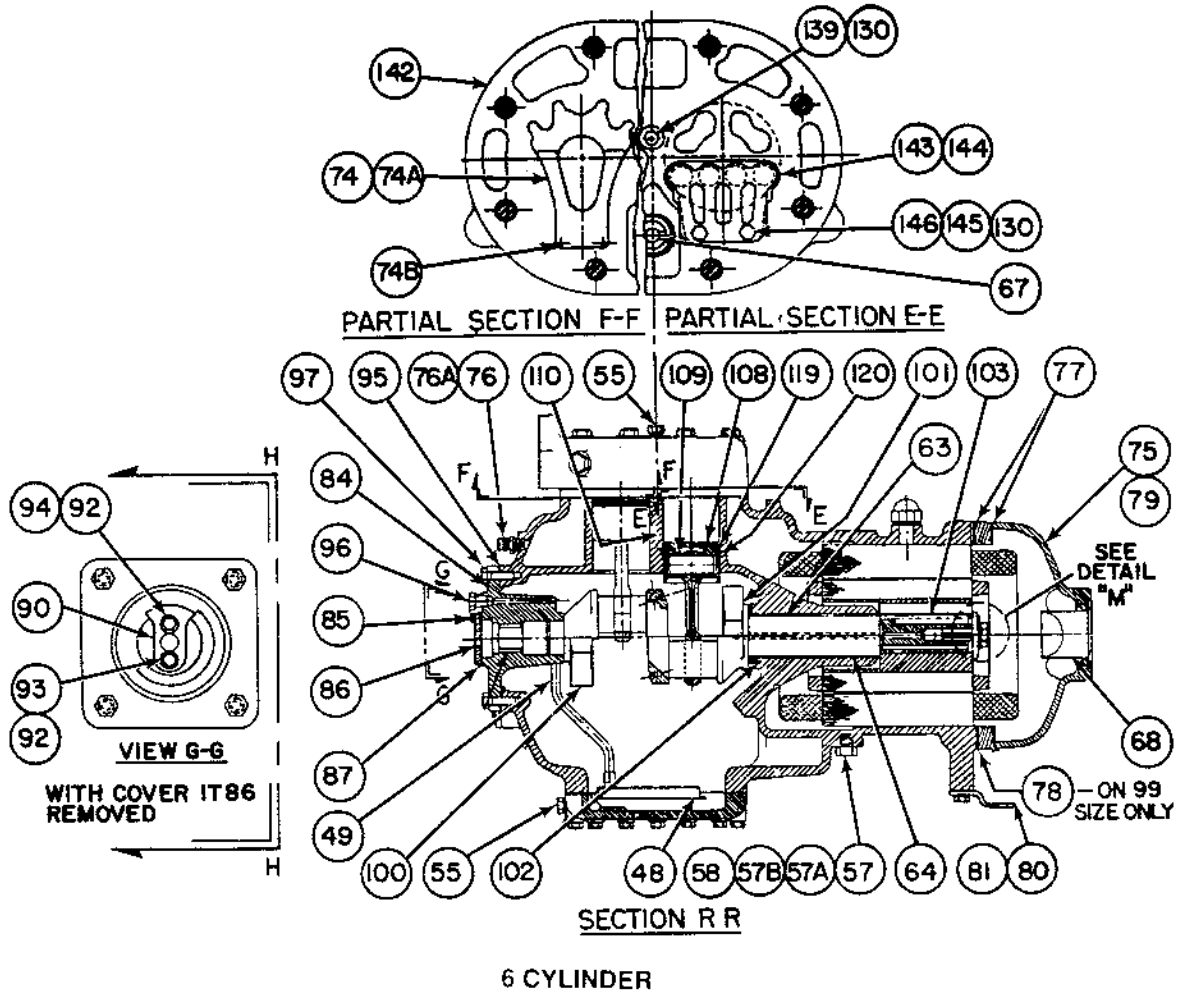


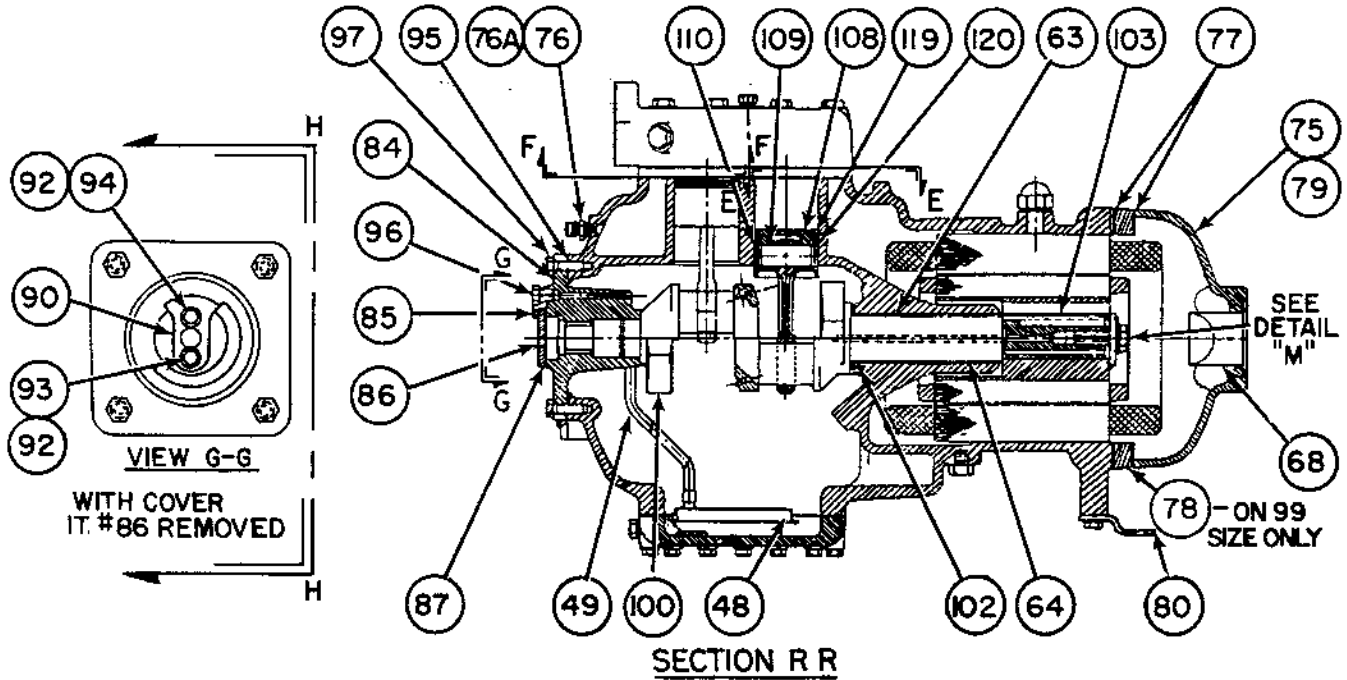
NOT USED ON
REFRIG.
MODELS



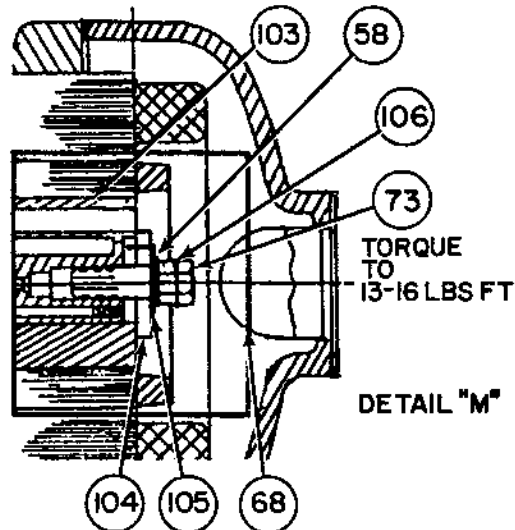
PARTIAL SECTION K-K | PARTIAL SECTION L-L

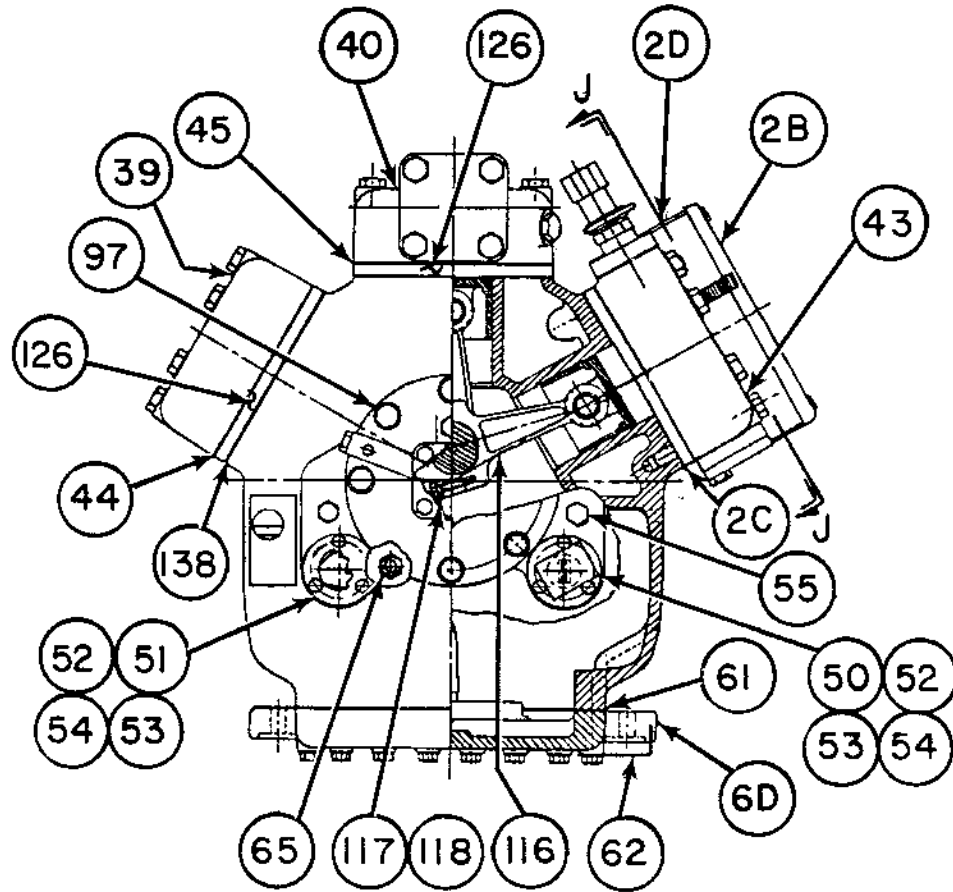
4 CYLINDER



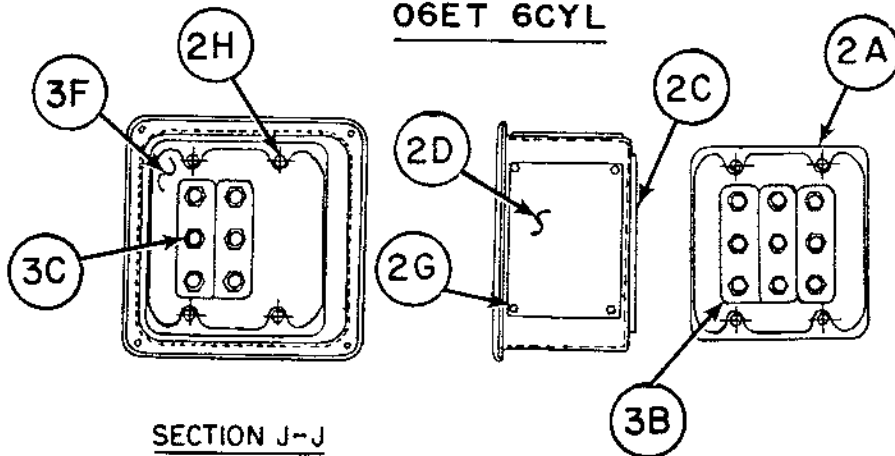


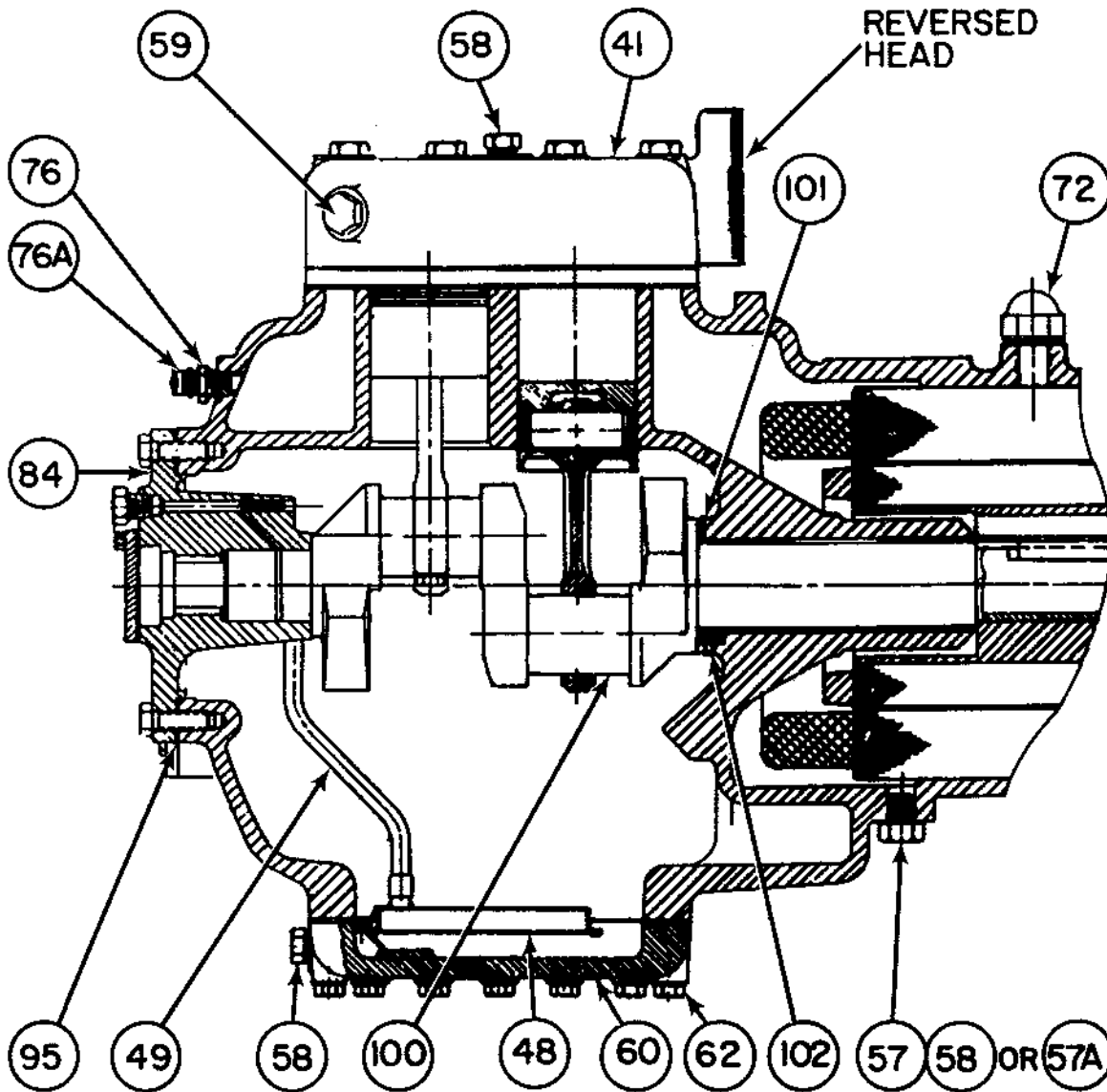
6 CYLINDER



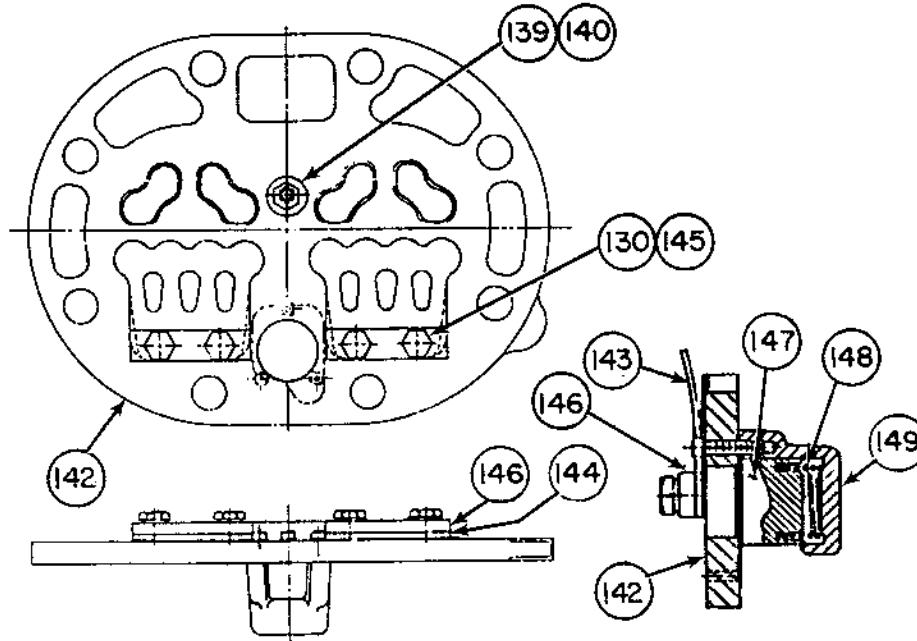


06ET 6CYL

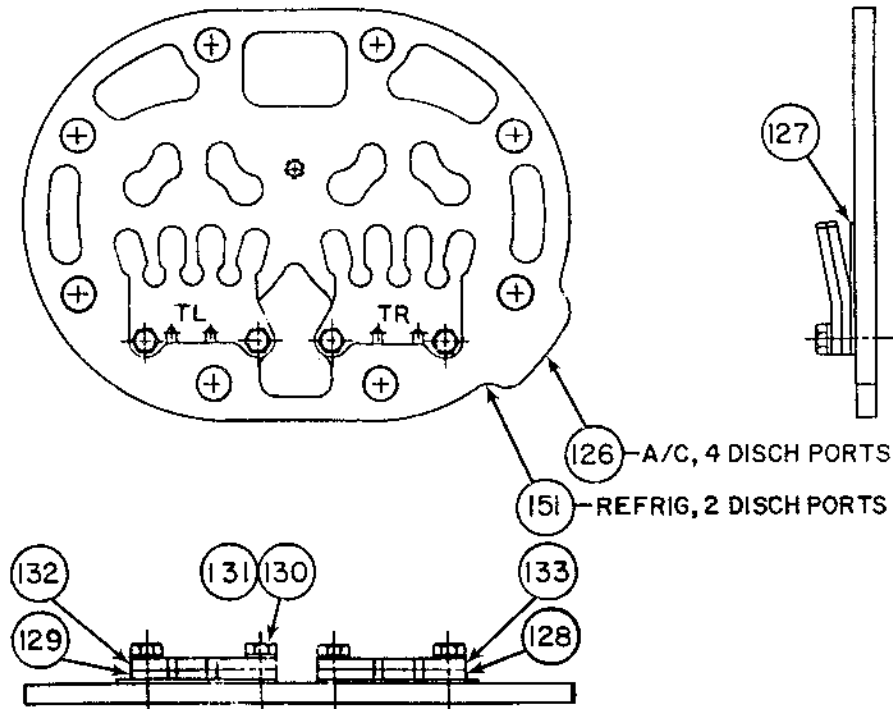




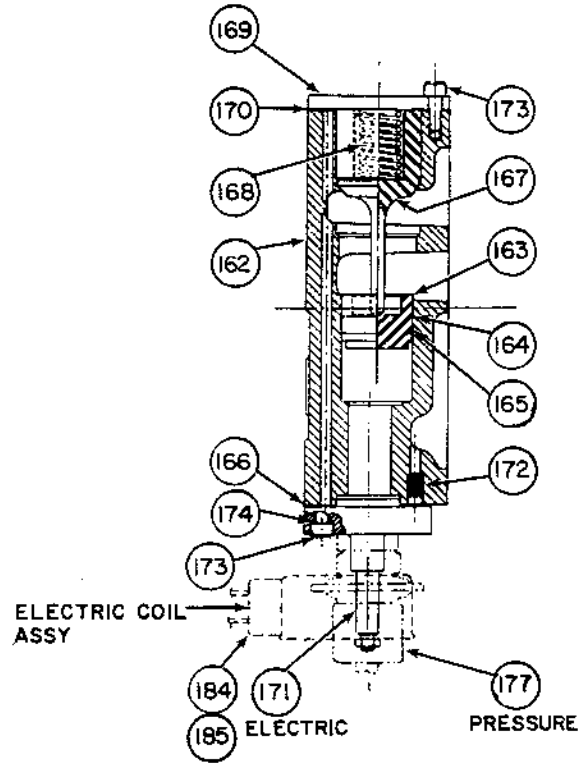
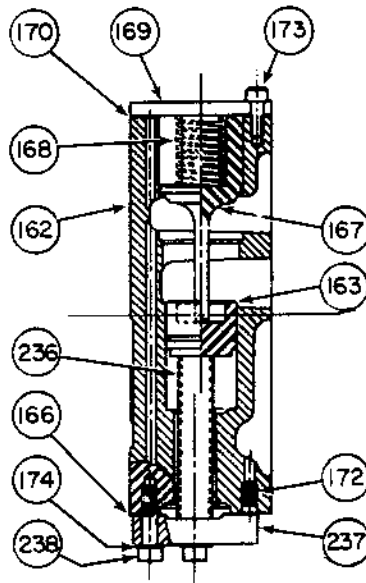
6 CYLINDER W/REVERSED HEAD



HGBP UNLOADING VALVE PLATE



HI-EFFICIENCY VALVE PLATE


SCOU

SCOU BLOCKING

