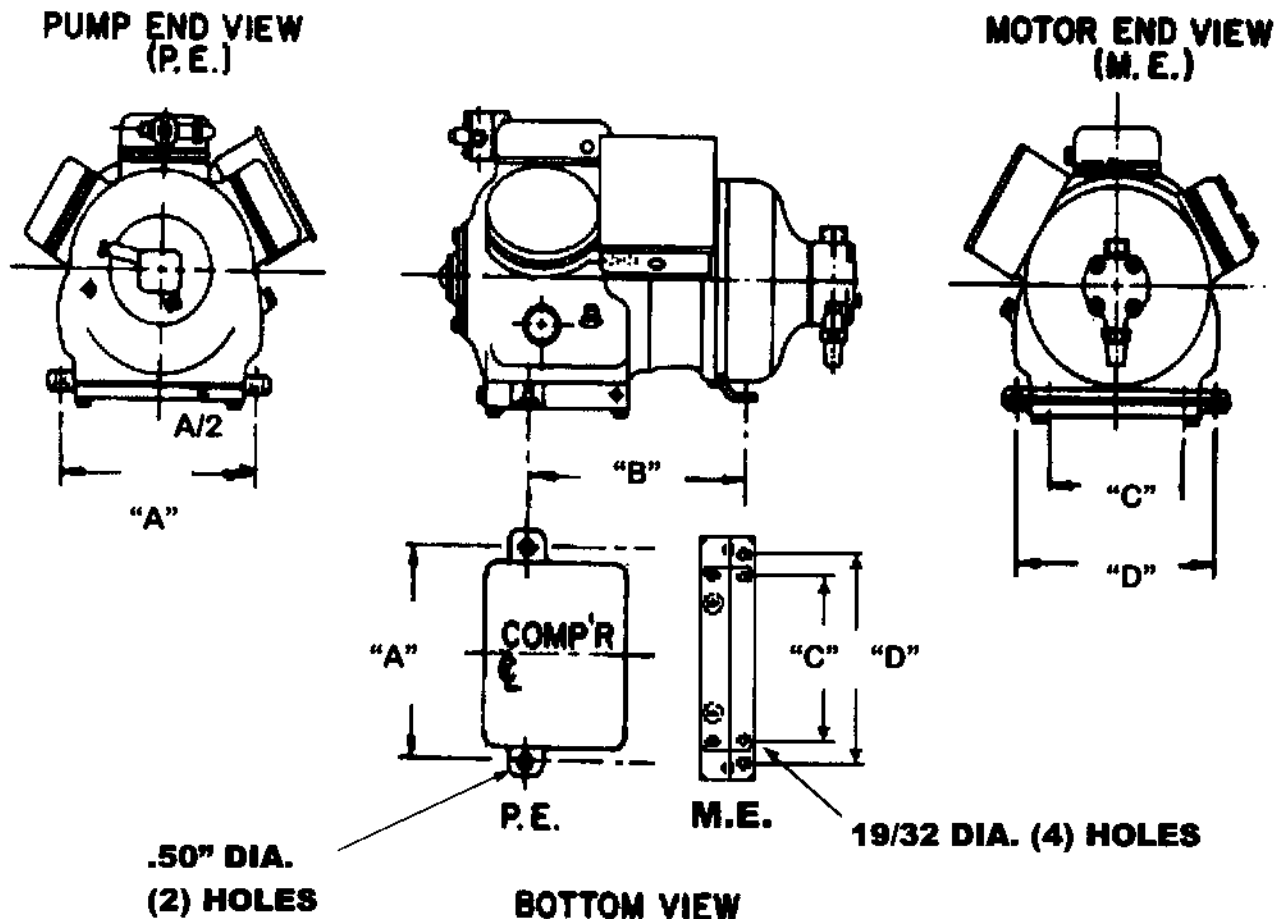


Carlyle 06D, 06E and 06CC Mounting Dimensions

The purpose of this bulletin is to clarify the mounting feet locations of the 06D, 06E and 06CC compressors. These compressors are supplied with the mounting feet in the locations shown in the figure and chart below.

Recent application literature is confusing on several 6-cylinder 06D air conditioning models and several 06E refrigeration duty models. Until such time that our Application literature is updated, please refer to this bulletin or call Carlyle Application Engineering with any questions.



(Typical 06D 6-cylinder shown for reference purposes)

06D, 06E & 06CC Mounting Dimensions

Compressor Model Number	No of Cylinders	"A" Dimensions @ Pump End Width	"B" Dimensions Pump End to Motor End	"C" Dimensions @ Optional Motor End Width	"D" Dimensions @ Motor End Width
06DR's:					
06DR109	2	8.88"	12.88"	Not Applicable	8.88"
06DR013, 316	4	8.88"	14.88"	Not Applicable	8.88"
06DR718, 820	4	8.25"	13.88"	Not Applicable	8.25"
06DR724, 228, 337	6	11.38"	12.78"	8.88"	11.38"
06DM's:					
06DM808	2	8.88"	12.88"	Not Applicable	8.88"
06DM313, 316	4	8.88"	14.88"	Not Applicable	8.88"
06DM337	6	11.38"	12.78"	8.88"	11.38"
06DA's:					
06DA808	2	8.88"	12.88"	Not Applicable	8.88"
06DA313, 816	4	8.88"	14.88"	Not Applicable	8.88"
06DA818	4	8.25"	13.88"	Not Applicable	8.25"
06DA824, 328, 537	6	11.38"	12.78"	8.88"	Not Applicable
06ER's:					
06ER450	4	11.38"	15.31"	8.88"	11.38"
06ER465, 475, 399	6	11.38"	17.44"	8.88"	11.38"
06EM's:					
06EM450	4	11.38"	15.31"	8.88"	11.38"
06EM475, 499	6	11.38"	17.44"	8.88"	11.38"
06EA's:					
06EA550	4	11.38"	15.31"	8.88"	11.38"
06EA565, 575, 599	6	11.38"	17.44"	8.88"	11.38"
06CC's:					
ALL "D" Body	6	11.38"	12.78"	8.88"	11.38"
ALL "E" Body	6	11.38"	17.44"	8.88"	11.38"