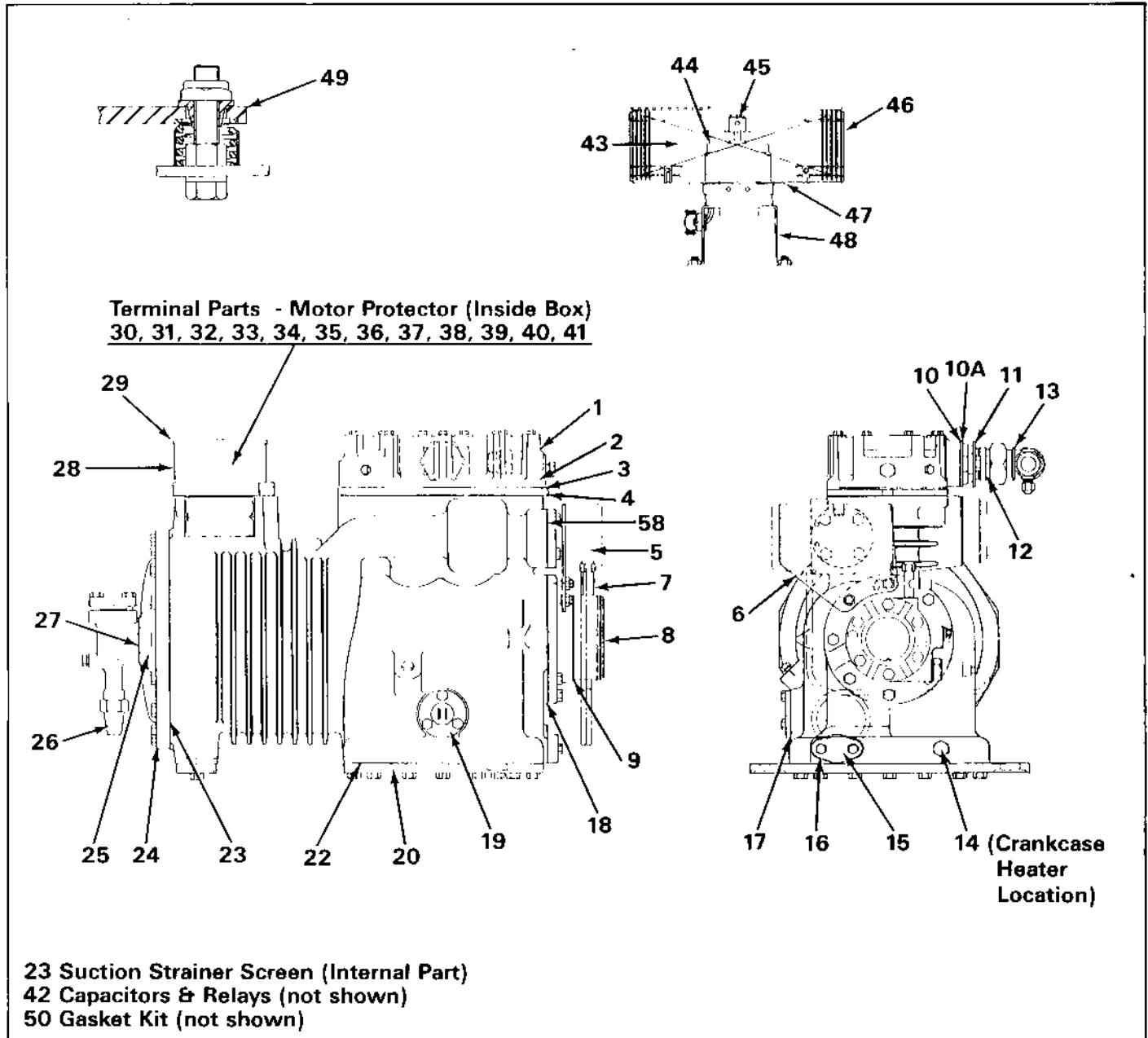




"9R" & "9T" SERIES COPELAMETIC® COMPRESSOR PARTS LIST

Outline Drawing with Reference Numbers



Field Replacement Parts

Ref. No.	Part Description	Part Number	Model Series
1	Cylinder Head	002-0199-00	9RA, 9RB & 9RJ - 5 & 7 1/2 HP 9RC & 9RS - 7 1/2 & 10 HP
	Cylinder Head	002-0200-00	9RS - 15 HP
	Cylinder Head	002-0202-00	9RP
	Cylinder Head	002-0203-00	9RT
	Cylinder Head	002-0172-00	9TH, 9TK & 9TL
2	Gasket-Cylinder Head	020-0606-00	9TH, 9TK & 9TL
	Gasket-Cylinder Head	020-0607-00	9RP
	Gasket-Cylinder Head	020-0608-00	9RT
	Gasket-Cylinder Head	020-0609-00	9RS - 15 HP
	Gasket-Cylinder Head	020-0610-00	9RA, 9RB & 9RJ - 5 & 7 1/2 HP 9RC & 9RS - 7 1/2 & 10 HP
3	Valve Plate Kit	998-0661-08	9RA, 9RC & 9RP All 9RS (except 9RS1)
	Valve Plate Kit	998-0661-09	9RB & 9RJ
	Valve Plate Kit	998-0661-36	9TH, 9TL & 9TK
	Valve Plate Kit	998-0661-41	9RS1
	Valve Plate Kit	998-0661-45	9RT
<i>(Valve plate kits includes valve plate assembly, suction reeds, and all necessary gaskets.)</i>			
4	Gasket-Valve Plate to Body	020-0128-00	9RB, 9RC, 9RP & 9TL
	Gasket-Valve Plate to Body	020-0128-01	9RA, 9RJ & 9TK
	Gasket-Valve Plate to Body	020-0128-04	9RS & 9TH - 7 1/2 & 10 HP
	Gasket-Valve Plate to Body	020-0320-00	9RT & 9RS - 15 HP
5	Sentronic Oil Pressure Control	585-1036-00	All <i>(Kit includes Sentronic oil pressure control, screws to mount control, oil pressure sensor, and sensor gaskets. Control mounting brackets are supplied on service replacement compressors.)</i>
	Sentronic and Oil Pump Retrofit Kit	998-1036-00	All <i>(Kit includes Sentronic oil pressure control, Part Number 585-1036-00, and oil pump kit Part Number 998-0008-33.)</i>
	Sentronic Oil Pressure Control	998-0104-00	All <i>(Control only, supplied with 41" cable as standard.)</i>
	Sentronic Sensor Kit	998-0105-00	All <i>(Kit includes sensor and gaskets.)</i>
	Sentronic Extension Cable	029-0208-00	All <i>(Cable is 85" long. Standard 41" cable, supplied with Sentronic control, plugs into extension cable providing 126" overall length.)</i>
6	Mounting Bracket-Oil Pressure Control	998-0700-02	All
7	Oil Pump Schrader Tee	510-0191-00	All
8	Oil Pump Kit	998-0008-33	All <i>(Kit includes oil pump, gaskets, adapters, and mounting bolts. Accommodates both Sentronic and capillary tube type oil pressure controls.)</i>
9	Gasket-Oil Pump	020-0732-00	All
10	Gasket-Discharge Valve Mounting Adapter	020-0012-09	All
10A	Discharge Muffler Plate	003-0107-00	Optional as required <i>(Muffler plate gasket is 020-0012-09 - two required.)</i>

Field Replacement Parts

Ref. No.	Part Description	Part Number	Model Series
11	Discharge Rotalock Valve Mounting Adapter	036-0062-00	All
12	Gasket-Discharge Valve-Rotalock Gasket-Discharge Valve-Body Mount	020-0028-03 020-0012-09	All All
13	Discharge Valve-7/8" SWT Rotalock Discharge Valve-1 1/8" SWT Rotalock <i>(*Rotalock adapter 036-0062-00 and adapter gasket 020-0012-09 must be ordered separately.)</i>	998-0510-37* 998-0510-02*	All 5 HP All 7 1/2, 10 & 15 HP
	Discharge Valve 7/8" SWT	998-0510-10	All 9R - 5 HP (except 9RJ2 - 5 HP) 9RJ - 7 1/2 HP & 9TH - 10 HP
	Discharge Valve 1 1/8" SWT	998-0510-09	9RJ2 - 5 HP All 7 1/2 HP (except 9RJ) All 10 HP (except 9TH) All 15 HP
	<i>(Service valve kits include valve gasket.)</i>		
13A	Suction and Discharge Valve Kits	998-5100-01	All 9R - 5HP (except 9RJ2)
	NOTE: For Cylinder Head mounted Discharge Rotalock Valve.	998-5100-05	When repiping use Cylinder Head Discharge. 9RJ2 - 5 HP
		998-5100-02	9R - 7 1/2 HP (except 9RA2, 9RB2, 9RC3 & 9RS2) 9R - 10 HP (except 9RC3 & 9RP) 9RS4 - 15 HP
		998-5100-04	9RA2, 9RB2, 9RC2 & 9RS2 - 7 1/2 HP 9RC3 & 9RP - 10 HP 9RS1 & 9RT - 15 HP
	NOTE: For Body Mounted Discharge Valve.	998-5100-06	9R - 5 HP (except 9RJ2) 9RJ - 7 1/2 HP 9TH - 10 HP
		998-5100-07	9RJ2 - 5 HP 9RA2, 9RB2, 9RC2 & 9RS2 - 7 1/2 HP 9RC3 & 9RP - 10 HP 9RS1 & 9RT - 15 HP
		998-5100-08	9R - 7 1/2 HP (except 9RA2, 9RB2, 9RC3, 9RS2 & 9RJ) 9R - 10 HP (except 9RC3, 9RP & 9TH) 9RS4 - 15 HP
	<i>(Kits include suction and discharge valve, valve mounting bolts, gaskets, and Rotalock valve mounting adapter.)</i>		
14	Crankcase Heater (65 Watt)		All
	Immersion Type		
	120 Volt	518-0001-03	
	240 Volt	518-0001-02	
	480 Volt	518-0001-01	
	600 Volt	518-0001-00	
	External Type (Not shown—attaches to bottom plate)		
	120 Volt	518-0009-00	
	240 Volt	518-0009-01	
	480 Volt	518-0009-02	
	600 Volt	518-0009-03	

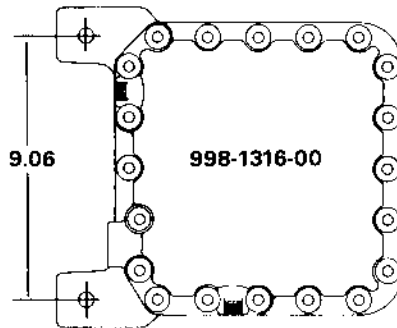
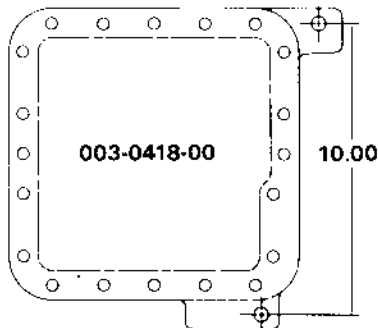
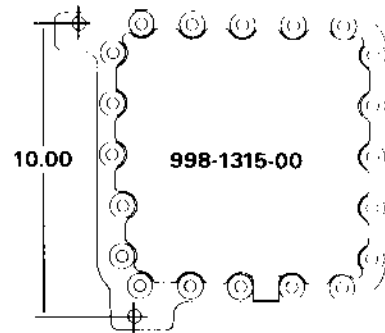
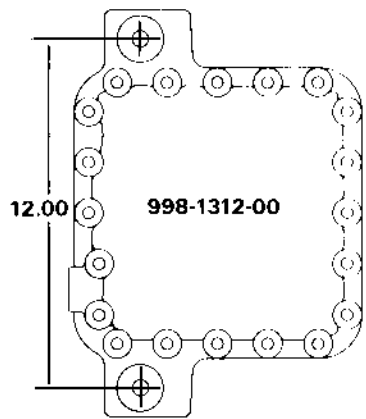
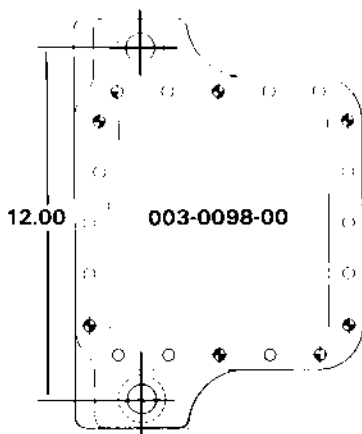
Field Replacement Parts

Ref. No.	Part Description	Part Number	Model Series
15	Oil Screen Oil Screen (<i>Extended oil sump</i>)	013-0067-00 013-0068-01	All (except 9RB4 & 9RSD) 9RB4 & 9RSD (extended oil sump models)
16	Gasket-Oil Screen Cover Plate	020-0012-11	All
17	Gasket-Oil Sight Glass ("O" ring) Gasket-Oil Sight Glass (Circular)	020-0003-03 020-0006-06	New Style (3 mtg bolts) Old Style (4 mtg bolts)
18	Gasket-Housing Cover	020-0749-00	All
19	Sight Glass Kit (<i>3 mtg bolts</i>) Sight Glass Kit (<i>4 mtg bolts</i>) (<i>Includes glass, gaskets, and mounting screws.</i>)	998-0002-02 998-0002-03	New Style Old Style
20	Bottom Plate (Standard flat plate) Bottom Plate	003-0098-00 003-0418-00	(Except 9RB5, 9RS6 & 9RBA) 9RB5, 9RS6 & 9RBA
21	Bottom Plate Kit (<i>Extended oil sump</i>) Bottom Plate Kit (<i>Extended oil sump</i>) Bottom Plate Kit (<i>Extended oil sump</i>)	998-1312-00 998-1315-00 998-1316-00	9RB4, 9RB6, 9RSB, 9RS7 & 9RS9" 9RS5 & 9RSD 9RB8, 9RS8, 9RSC & 9RSE
22	Gasket-Bottom Plate	020-0479-00	All

Bottom Plate Footprint (Flat Plate & Extended Oil Sumps)

Flat


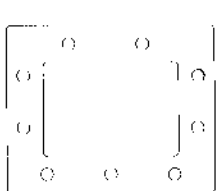
Deep Sump



Field Replacement Parts

Ref. No.	Part Description	Part Number	Model Series
23	Stator Cover Gasket	020-0130-00	All
24	Stator Cover	005-0044-00	5 & 7 1/2 HP Standard (exceptions below)
	Stator Cover	005-0068-00	9RJ2 - 5 HP 9RA2, 9RB2, 9RC3 & 9RS2 - 7 1/2 HP 9RC3 & 9RP3 - 10 HP 9RS1 & 9RT - 15 HP
	Stator Cover	005-0101-00	9RA3 - 5 HP 9RA3, 9RB3 & 9RS4 - 7 1/2 HP 9RC1, 9RP2 & 9RS3 - 10 HP 9RS4 - 7 1/2 HP & 15 HP 9TH <i>(Use new gaskets when changing stator covers. Individual gaskets or a gasket kit must be ordered separately.)</i>
25	Suction Strainer Screen	013-0011-00	9RA2, 9RB2, 9RC3, 9RJ2, 9RS1, 9RS2, 9RT & 9RP3
	Suction Strainer Screen	013-0078-00	9RA1, 9RA3, 9RB1, 9RB4, 9RB5, 9RC1, 9RJ1 & 9RP - 10 HP 9RS3 - 10 HP
	Suction Strainer Screen	013-0078-01	9RS3, 9RS4, 9RS6, 9RS8, 9RS9, 9RSB, 9RSD & 9RP2 - 7 1/2 HP 9TH, 9TK & 9TL
26	Suction Valve-1 3/8" SWT (2 bolt)	998-0510-11	All 5, 7 1/2, 10 & 15 HP (except 9RJ2, 9RA2, 9RB2, 9RC2, 9RS2, 9RC3, 9RP, 9RS1 & 9RT)
	Suction Valve-1 5/8" SWT (4 bolt)	998-0510-07	9RJ2 - 5 HP 9RA2, 9RB2, 9RC2 & 9RS2 - 7 1/2 HP 9RC3 & 9RP - 10 HP 9RS1 & 9RT - 15 HP <i>(Service valve kits include valve gasket.)</i>
	NOTE: For complete service valve kit, Reference No. 13A		
27	Gasket-Suction Valve (2 bolt)	020-0012-09	All 9R (except 9RJ2 - 5 HP) 9RA2, 9RB2, 9RC2 & 9RS2 - 7 1/2 HP 9RC3 & 9RP - 10 HP 9RS1 & 9RT - 15 HP
	Gasket-Suction Valve (4 bolt)	020-0006-46	9RJ2 - 5 HP 9RA2, 9RB2, 9RC2 & 9RS2 - 7 1/2 HP 9RC3 & 9RP - 10 HP 9RS1 & 9RT - 15 HP
28	Terminal Box	062-0058-00	All CFB, TFC, TFD & TFE Motor Types
	Terminal Box	062-0058-00	All 5 & 7 1/2 HP THC/TLC, THD/TLD & THE/TLE Motor Types
	Terminal Box	062-0072-00	All 10 HP & 15 HP THC/TLC, THD/TLD, & THE/TLE Motor Types (except 9RS & 9RT - 15 HP TLC)
	Terminal Box	062-0078-00	9RS & 9RT - 15 HP TLC Motor Types
	Terminal Box	062-0134-02	All FSM Motor Types

Field Replacement Parts

Ref. No.	Part Description	Part Number	Model Series
29	Cover-Terminal Box	005-0163-00	All CFB, TFC, TFD & TFE Motor Types
	Cover-Terminal Box	005-0163-00	All 5 & 7 1/2 HP THC/TLC, THD/TLD & THE/TLE Motor Types
	Cover-Terminal Box	505-0069-02	9RC, 9RP & 9RS - 10 HP THC/TLC, THD/TLD & THE/TLE Motor Types 9RS, 9RS4 & 9RT - 15 HP TH, & TLD Motor Types
	Cover-Terminal Box	505-0101-02	9RS & 9RT - 15 HP TLC Motor Type
	Cover-Terminal Box	005-0396-00	All FSM Motor Types
30	Terminal Plate, Stud, and Insulator Assembly <i>(Includes terminal plate gasket.)</i>	998-0521-00	All THC/TLC, THD/TLD & THE/TLE Motor Types
	Terminal Plate, Stud, and Insulator Assembly <i>(Includes terminal plate gasket.)</i>	521-0147-00	All FSM Motor Types
31	Terminal Board Assembly <i>(Solid state models)</i>	580-0053-00	9RB1 - 5 HP, 9RS3 - 7 1/2 HP & 9RS3 - 10 HP FSM Motor Type
32	Terminal Fusite	521-0018-00	All CFB, TFC, TFD & TFE Motor Types
33	Terminal Block (Connector)	021-0005-00	All CFB, TFC, TFD & TFE Motor Types
34	Plate-Terminal Mounting Assembly <i>(Includes terminal fusite, gaskets, bolts, and terminal plate.)</i>	521-0144-00	All CFB, TFC, TFD & TFE Motor Types
35	Gasket-Terminal Plate	020-0146-00	All CFB, TFC, TFD & TFE Motor Types (Except old style.)
		020-0090-00	All old style
			
	New Style Old Style		
36	Terminal "O" Ring <i>(Terminal Fusite "O" Ring)</i>	020-0003-02	All CFB, TFC, TFD & TFE Motor Types
37	Protector Clamp	032-0222-00	All THC/TLC, THD/TLD & THE/TLE Motor Types
38	Protector Insulation	064-0066-00	9RC, 9RP & 9RS - 10 HP
	Protector Insulation	064-0107-00	9RS & 9RT - 15 HP TH Motor Types
	Protector Insulation	064-0151-00	9RS & 9RT - 15 HP TL Motor Types
39	Fuse Holder	521-0031-00	All THC/TLC, THD/TLD & THE/TLE Motor Types
40	Fuse Board <i>(Contains 3 each of 2 amp, 4 amp and 5 amp fuses.)</i>	580-0033-00	All THC/TLC, THD/TLD & THE/TLE Motor Types

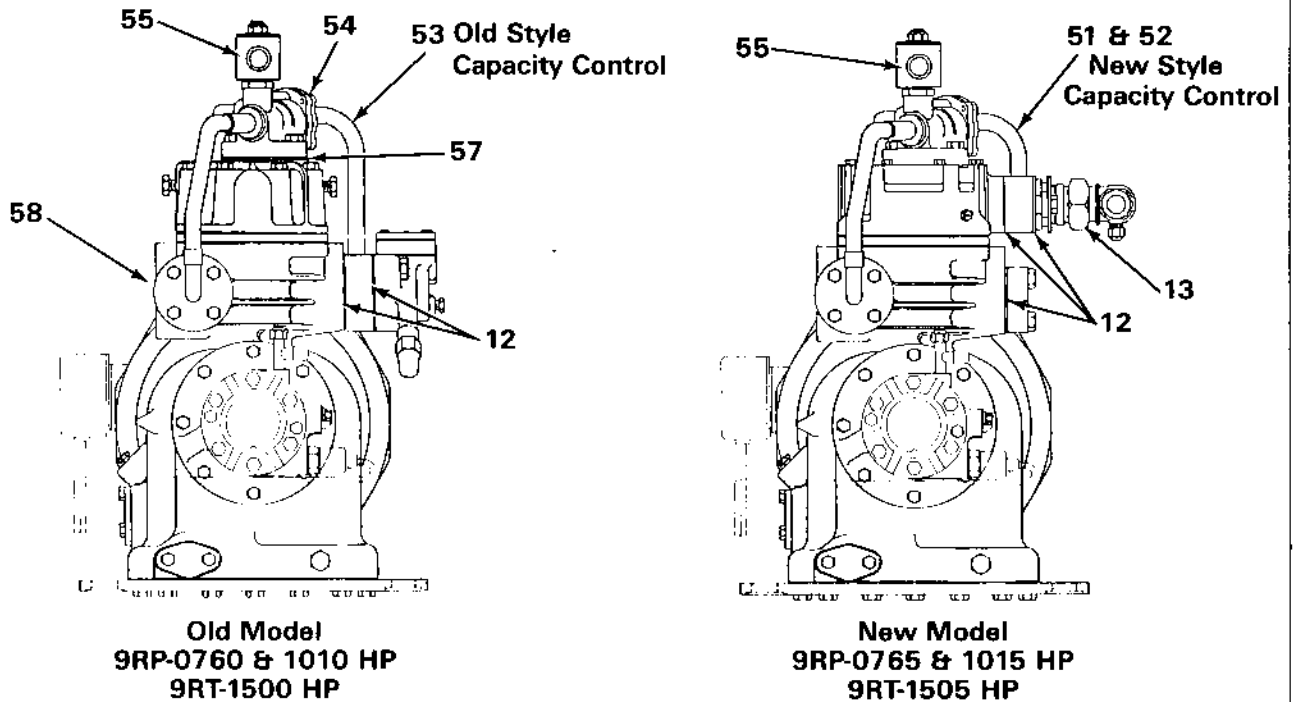
Field Replacement Parts

Ref. No.	Part Description	Part Number	Model Series		
41	Protectors <i>(TFC, TFD and TFE motor types have replaceable protectors located under the terminal plate. Kits include new terminal plate gasket for use when installing new protector. FSM motor type is external solid state module kit.)</i>				
	Motor	Type			
5 HP	-CFB (230 Volt)	998-0087-04	9RA, 9RB & 9RJ		
	-TFC (208/230 Volt)	998-0086-09	9RA, 9RB & 9RJ		
	-TFC (208/230 Volt)	998-0086-38	9TK & 9TL		
	-TFD (460 Volt)	998-0086-17	9RA, 9RB, 9RJ & 9TK		
	-TFE (575 Volt)	998-0086-29	9RA, 9RB, 9RJ & 9TK		
	-FSM (380/420 Volt - 50 HZ)	998-0424-00 *	9RA, 9RB, 9RJ & 9TK		
7 1/2 HP	-TFC (208/230 Volt)	998-0086-21	9RA & 9RJ		
	-TFC (208/230 Volt)	998-0086-22	9RB, 9RC, 9RP, 9TH & 9TL		
	-TFC (208/230 Volt)	998-0086-23	9RS		
	-TFD (460 Volt)	998-0086-20	9RA, 9RB, 9RC, 9RJ, 9RP, 9RS, 9TH & 9TL		
	-TFE (575 Volt)	998-0086-40	9RA, 9RB, 9RC, 9RP, 9RJ & 9TL		
	-TFE (575 Volt)	998-0086-26	9RS		
	-FSM (380/420 Volt - 50 HZ)	998-0424-00 *	9RA, 9RB, 9RC, 9RP, 9RS, 9TL & 9RJ		
10 HP	-THC (208/230 Volt)	071-0338-05	9RA		
	-THC/TLC (208/230 Volt)	071-0338-01	9RC, 9RP, 9RS & 9TH		
	-THD (460 Volt)	071-0339-10	9RA		
	-THD/TLD (460 Volt)	071-0339-02	9RC, 9RP, 9RS & 9TH		
	-THE/TLE (575 Volt)	071-0339-03	9RC, 9RP & 9RS		
	-FSM (380/420 Volt - 50 HZ)	998-0424-00 *	9RC, 9RP, 9RS & 9TH		
15 HP	-THC/TLC (208/230 Volt)	071-0337-00	9RS & 9RT		
	-THD/TLD (460 Volt)	071-0338-04	9RS & 9RT		
	-THE/TLE (575 Volt)	071-0339-13	9RS & 9RT		
	-FSM (380/420 Volt - 50 HZ)	998-0424-00 *	9RS & 9RT		
<i>(998 protector kits include terminal plate gaskets as needed.)</i>					
NOTE: "THC, THD & THE" type use two external supplementary protectors.					
"TLC, TLD & TLE" type use three external supplementary protectors.					
* 998-0424-00 is 240 Volt					
* 998-0424-01 is 120 Volt					
42					
Compressor Model	Voltage	Start Capacitor 1 (Regular)	Run Capacitor (Round) 1 (Regular)	Relay	Current Style Capacitor And Relay Service Kit
9RA-050X-CFB	230/1/60	014-0006-09 (216-259 MFD @ 330 VAC)	014-0037-22 (60 MFD @ 440 VAC)	040-0001-12	998-1014-11
9RB/9RJ-050X-CFB	230/1/60	014-0006-09 (216-259 MFD @ 330 VAC)	014-0037-20 (50 MFD @ 440 VAC)	040-0001-12	998-1014-10

Field Replacement Parts

Ref. No.	Part Description	Part Number	Model Series
43	Vertical Cooling Fan Assembly 208/230 Volt - 60 HZ 440 Volt - 60 HZ 115 Volt - 60 HZ <i>(Vertical cooling fan assemblies include fan motor, fan blade, and fan guard. The fan mounting kit (Reference No. 48) must be ordered separately.)</i>	998-0550-00 998-0550-01 998-0550-02	
44	Fan Motor 208/230 Volt - 60 HZ 440 Volt - 60 HZ 115 Volt - 60 HZ <i>(Kit includes fan motor mounted to bottom guard. Securing the guard to motor requires special bonding material and correct torque. For this reason, motors are supplied with the bottom guard mounted.)</i>	998-0550-03 998-0550-04 998-0550-05	
45	Fan Blade	083-0118-00	
46	Fan Guard-Top	024-0200-00	
47	Fan Guard-Bottom <i>(Part of Fan Motor Kit. Reference NO. 44. Cannot be ordered separately.)</i>		
48	Fan Mounting Kit - Old Style Head Fan Mounting Kit - New Style Head * <i>*Discharge pad located on the side of the cylinder head. (Fan mounting kits include all parts required to mount a vertical cooling fan assembly.)</i>	998-0574-06 998-0574-08	
49	Mounting Parts Mounting Parts Mounting Parts <i>(Mounting parts include springs, rubber spacers, and hardware required for assembly.)</i>	527-0009-00 527-0045-00 527-0037-00	5 - 7 1/2 HP 10 HP 15 HP
50	Gasket Kit - (Not shown) <i>(Includes all compressor gaskets.)</i>	998-0669-37	All

Capacity Control



56 Enclosure Tube (not shown)

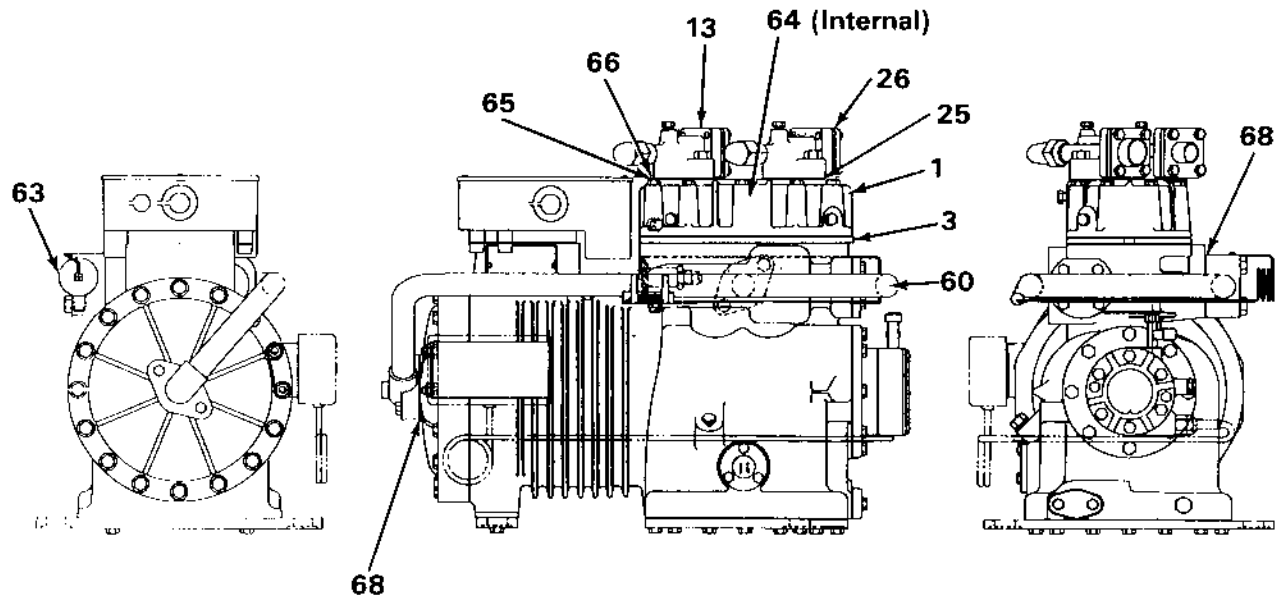
Field Replacement Parts

Ref. No.	Part Description	Part Number	Model Series
51	Capacity Control		
	Standard 9R compressors can be converted to capacity control through the use of a conversion kit which may be selected from the following list:		
	Converts to Capacity Control Model	Application & Refrigerant	Conversion Kit Part Number
9RC-0765	9RP-0765	High R-12	998-0017-07 (24 Volt Coil) 998-0017-08 (120 Volt Coil) 998-0017-09 (240 Volt Coil)
9RC-1015	9RP-1015	High R-22	998-0017-07 (24 Volt Coil) 998-0017-08 (120 Volt Coil) 998-0017-09 (240 Volt Coil)
<i>NOTE: 9RC conversion to 9RP conversion kits include cylinder head, valve and tubing assembly, coil and gaskets.</i>			
9RS-1505	9RT-1505	High R-22	998-0017-10 (24 Volt Coil) 998-0017-11 (120 Volt Coil) 998-0017-12 (240 Volt Coil)
<i>NOTE: 9RS conversion to 9RT conversion kits include valve plate, cylinder head, valve and tubing assembly, coil, and gaskets.</i>			

Field Replacement Parts

Ref. No.	Part Description	Part Number	Model Series
52	Capacity Control Repair Kit <i>(New style, Reference No. 53 for old style.)</i>		
	Model	Kit Part Number	
	9RP-0765	998-0017-13	
	9RP-1015	998-0017-13	
	9RT-1505	998-0017-13	
	NOTE: Discharge side of tubing assembly attaches to cylinder head discharge opening. Kits include capacity control valve, tubing assembly, and gaskets.		
53	Capacity Control Repair Kit <i>(Old Style)</i>		
	Model	Kit Part Number	
	9RP - 0760	998-0017-03	
	9RP - 1010	998-0017-03	
	9RT - 1500	998-0017-03	
	NOTE: Discharge side of tubing assembly attaches to body discharge opening. Kits include capacity control valve, tubing assembly, and gaskets.		
54	End Plate Kit <i>(Kit includes end plate and end plate gasket.)</i>	998-0045-00	
55	Capacity Control Valve Coil Only		
	24 Volt	120 Volt	240 Volt
	023-0037-00	023-0037-01	023-0037-02
56	The replacement enclosure tube (the part the coil mounts on) located on top of the capacity control valve is Part Number 528-1074-00.		
57	Gasket-Capacity Control Valve	020-0012-09	
58	Cover Plate Gasket	020-0430-00	
	NOTE: When replacing standard model 9RC or 9RS with capacity control added, replace with capacity control models 9RP or 9RT.		

Two-Stage Compressors



- 59 Intercooler Assembly (not shown)
- 61 Solenoid Valve and Coil (not shown)
- 62 Liquid Sight Glass (not shown)
- 67 Liquid Line Filter (not shown)

Field Replacement Parts

Ref. No.	Part Description	Part Number	Model Series
59	Intercooler Assembly	566-0349-00	9TK & 9TL
	Intercooler Assembly	566-0390-00	9TH
60	Intermediate Tube Assembly	528-0671-00	9TL, 9TK & 9TH - 7 1/2 HP
	Intermediate Tube Assembly <i>(Order gasket capacity)</i>	528-0705-00	9TH - 10 HP
61	Solenoid Valve <i>(Valve & Coil)</i>	(208/240 Volt) 010-0007-03 (120 Volt) 010-0007-01	9TH, 9TK & 9TL
62	Liquid Sight Glass	570-0012-00	9TH, 9TK & 9TL
63	Expansion Valve	510-0144-00	9TK - 5 HP
	Expansion Valve	510-0144-01	9TH - 7 1/2 HP
	Expansion Valve	510-0144-02	9TL - 7 1/2 HP & 9TH - 10 HP
64	Relief Valve	510-0087-00	9TH, 9TK & 9TL
65	Muffler Plate	003-0107-00	9TH, 9TK & 9TL
66	Muffler Plate Gasket <i>(Two Required)</i>	020-0012-09	9TH, 9TK & 9TL
67	Liquid Line Filter	013-0060-00	9TH, 9TK & 9TL
68	Gaskets - Intermediate Tube Assembly <i>(Two required)</i>	020-0012-09	All

NOTE: Model 9TH1-1015 must be used to replace model 9TH-0760.
Model 9TH1-0760 will be accepted in exchange for 9TH1-1015.

SERVICE VALVE GASKETS, MOUNTING BOLTS, AND VALVE PORT SHIPPING PLATES

Serv. Valve Part No.	Gasket Part No.	Mtg. Bolt Part No.	Qty.	Shpg. Plate Part No.	Gasket Part No.	Mtg. Bolt Part No.
998-0510-07	020-0006-46	100-0013-56	4	003-0203-00	020-0008-01	100-0013-47
998-0510-09	020-0012-09	100-0013-50	2	003-0055-02	020-0012-09	100-0013-48
998-0510-10	020-0012-09	100-0013-50	2	003-0055-02	020-0012-09	100-0013-48
998-0510-11	020-0012-09	100-0013-50	2	003-0055-02	020-0012-09	100-0013-48
998-0510-02	020-0028-03	Rotalock	—	003-0055-02	020-0012-09	100-0013-48
998-0510-37	020-0028-03	Rotalock	—	003-0055-02	020-0012-09	100-0013-48

NOTES:

The Rotalock discharge service valves used on all 9R compressors require the use of mounting adapter Part Number 036-0062-00. The adapter requires gasket Part Number 020-0012-09 and two (2) pieces mounting bolt Part Number 100-0013-48.

When replacing a 9D or 9R compressor with a 3D, the original service valves may be reused, even though the valves currently used on the 3D may be a different design.

CONVERSIONS

Code	Conversion Required	
A	Stator Cover	
B	Valve Plate	
C	Capacity Control	
D	Bottom Plate	
E	Extended Oil Sump	

Standard Model	Converts To Model	Conversion Code
9RA1-050X	9RA3	A
	9RJ1	B
9RA1-076X	9RA2	A
	9RA3	A
	9RJ1	B
9RA1-101X	9RA3	A
9RB1-076X	9RB2	A
	9RB3	A
	9RB4	E
	9RB5	D
	9RB6	E
	9RC1	B
9RC1-076X	9RB1	B
	9RC3	A
	9RP2	C
9RC-101X	9RC3	A
	9RP2	C
	9RP3	A & C
9RJ1-050X	9RJ2	A
9RS1-150X	9RS4	A
	9RT1	C
9RS3-076X	9RS2	A
	9RS4	A
	9RS6	B
	9RS9	E